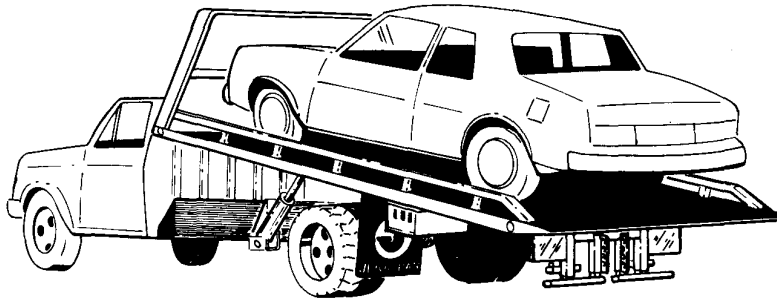




MEDIUM DUTY  
WRANGLER/TRANSPORTER  
SERIES

**OPERATION, MAINTENANCE,  
AND PARTS MANUAL**



OPTIONS WHEEL LIFT TOW BAR  
STD TOW BAR  
IRL (FOR STD OR WHEEL LIFT TOW BAR)  
REAR DOCK STABILIZER

**JERR-DAN  
CORP.**

1080 Hykes Road  
Greencastle, PA 17225 Phone (717) 597-7111

**PARTS LIST – FINAL ASSEMBLY BASIC UNIT**

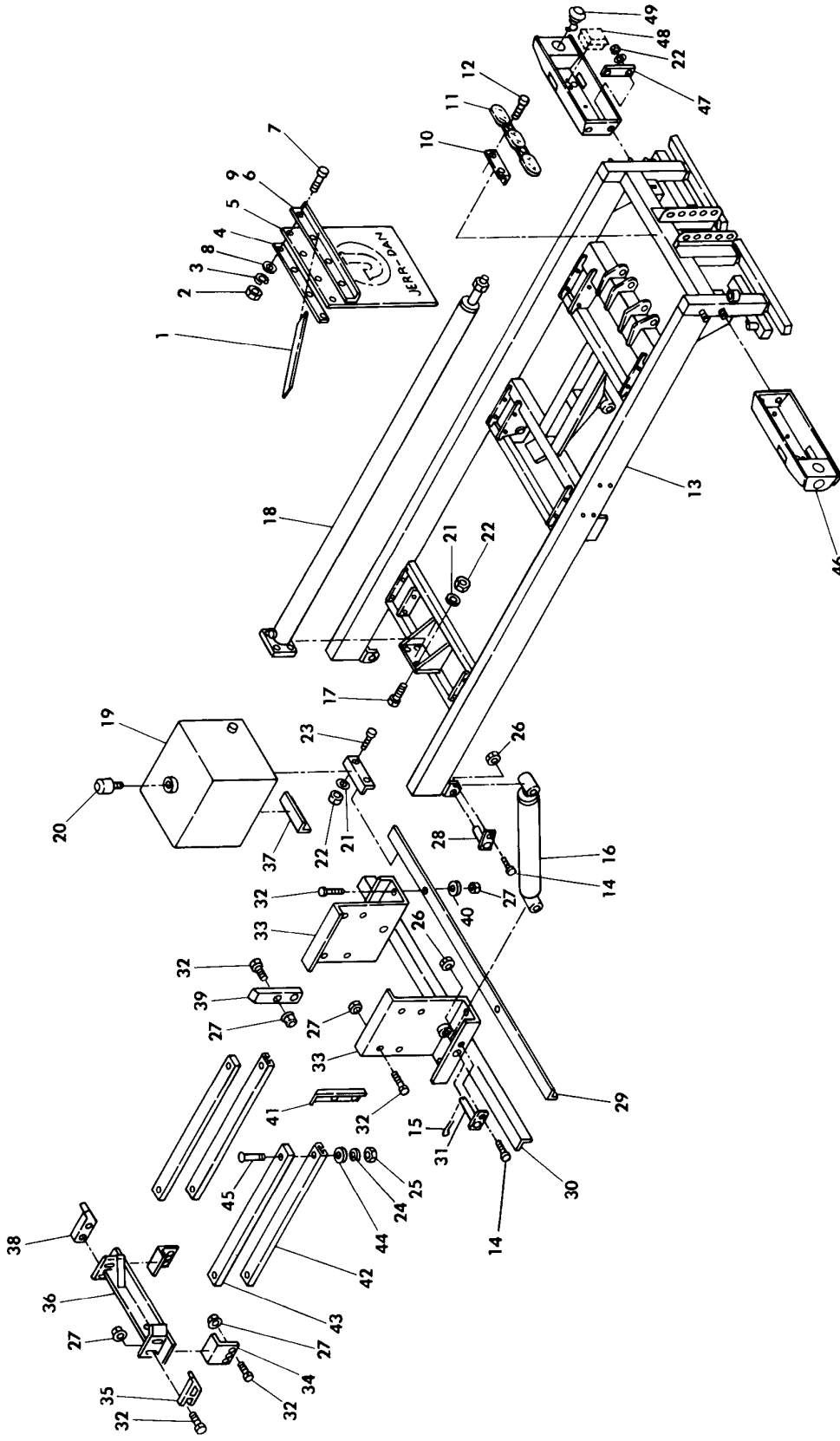
| Ref. No. | Part No.                   | Description             | Qty. |
|----------|----------------------------|-------------------------|------|
| 1        | A4-525-000085              | Brace                   | 2    |
| 2        | 7-660-150000               | Hex Nut                 | 8    |
| 3        | 7-950-150000               | Lockwasher              | 8    |
| 4        | B4-706-000112              | Back-up Strip           | 2    |
| 5        | D7-638-000011              | Mud Flap                | 2    |
| 6        | B4-017-000064              | Right Mud Flap Angle    | 1    |
| 7        | 7-111-150813               | Truss Head Screw        | 8    |
| 8        | 7-950-150161               | Flatwasher              | 8    |
| 9        | B4-017-000065              | Left Mud Flap Angle     | 1    |
| 10       | A4-533-1-00080             | Light Bar Angle         | 1    |
| 11       | A7-590-000007              | Light Bar               | 1    |
| 12       | 7-790-141056               | Self Tapping Screw      | 2    |
| 13       | D3-533-700020              | Subframe (STD)          | 1    |
| 14       | 7-111-160850               | Hex Head Bolt           | 4    |
| 15       | 7-690-144010               | Cotter Pin              | 4    |
| 16       | C1-700-100024              | Tilt Cylinder           | 2    |
| 17       | 7-115-181450               | Hex Head Bolt           | 4    |
| 18       | C3-320-000015 (8' Stroke)  | Rollback Cylinder       | 1    |
|          | C3-320-000026 (9' Stroke)  | Rollback Cylinder       | 1    |
|          | C3-320-000035 (10' Stroke) | Rollback Cylinder       | 1    |
| 19       | C3-750-000002              | Oil Reservoir           | 1    |
| 20       | B7-183-000002              | Breather                | 1    |
| 21       | 7-950-180000               | Lockwasher              | 8    |
| 22       | 7-660-180000               | Hex Nut                 | 8    |
| 23       | 7-111-181050               | Hex Head Bolt           | 4    |
| 24       | 7-950-160000               | Lockwasher              | 4    |
| 25       | 7-660-160000               | Hex Nut                 | 4    |
| 26       | 7-660-162300               | Flanged Locknut         | 4    |
| 27       | 7-660-182333               | Flanged Locknut         | 4    |
| 28       | 3-691-000070               | Upper Tilt Cylinder Pin | 2    |
| 29       | B4-017-000235              | R.H. Saddle Angle       | 1    |
| 30       | B4-017-000234              | L.H. Saddle Angle       | 1    |
| 31       | 3-691-000069               | Lower Tilt Cylinder Pin | 1    |
| 32       | 7-105-181450               | Hex Head Bolt           | 26   |
| 33       | C3-178-000109              | Saddle                  | 2    |
| 34       | B4-534-000401              | Mounting Angle          | 2    |
| 35       | B7-258-000003              | Hold-Down Block, L.H.   | 1    |
| 36       | C2-533-100045              | Hold-Down Base          | 1    |
| 37       | B4-017-000063              | Mounting Angle          | 2    |
| 38       | B7-258-000002              | Hold-Down Block, R.H.   | 1    |
| 39       | A2-526-000175              | Body Stay, R.H.         | 1    |
| 40       | 7-950-180153               | Harden Washer           | 4    |
| 41       | A2-526-000176              | Body Stay, L.H.         | 1    |
| 42       | 4-533-1-00120              | C-Channel (20' Deck)    | 2    |
|          | 4-533-1-00137              | C-Channel (22' Deck)    | 2    |
| 43       | 4-679-000021               | Wood Block (20' Deck)   | 2    |
|          | 4-679-000022               | Wood Block (22' Deck)   | 2    |
| 44       | 7-950-160161               | Flatwasher              | 4    |
| 45       | 7-111-163264               | Carriage Bolt           | 4    |
| 46       | D4-811-000003              | Light Box               | 2    |
| 47       | A4-706-000243              | Plate                   | 2    |
| 48       |                            | Stop, Tail, Turn Light  | 2    |
| 49       | 7-590-000009               | Red Light               | 2    |

Rev. \_\_\_\_\_

4.1

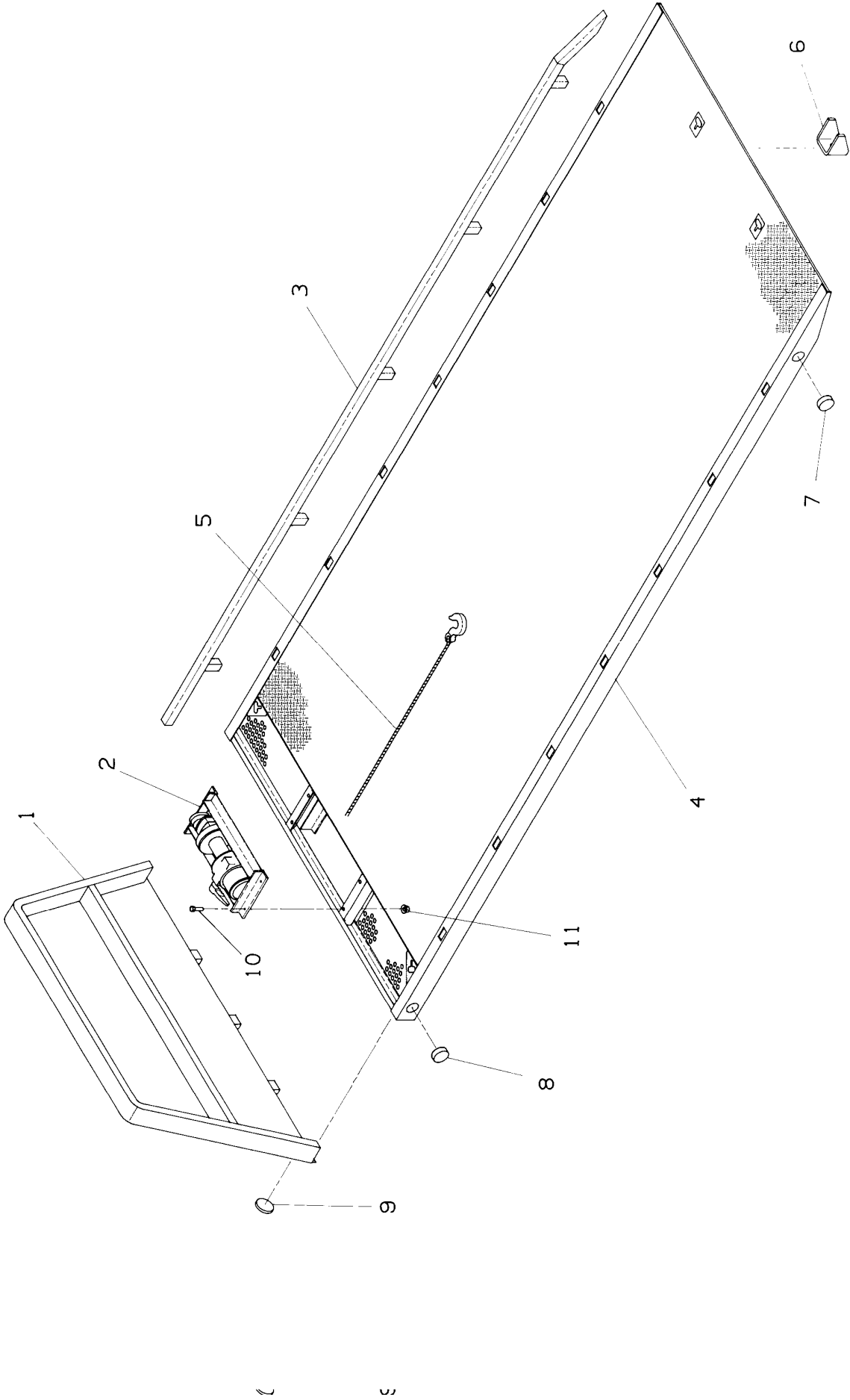
Date \_\_\_\_\_

FINAL ASSEMBLY BASIC UNIT



Rev. \_\_\_\_\_  
Date \_\_\_\_\_

DECK



Rev. \_\_\_\_\_  
Date \_\_\_\_\_

---

**PARTS LIST – DECK**

| <b>Ref. No.</b> | <b>Part No.</b> | <b>Description</b>       | <b>Qty.</b> |
|-----------------|-----------------|--------------------------|-------------|
| 1               | D3-241-000013   | Cab Protector            | 1           |
| 2               | C7-970-000016   | Winch Assembly           | 1           |
| 3               | 2-534-0-00076   | Raised Rails (20' Deck)* | 1pr.        |
|                 | 2-534-0-00077   | Raised Rails (22' Deck)* | 1pr.        |
| 4               | **              | Deck                     |             |
| 5               | A7-248-000001   | Winch Cable              | 1           |
| 6               | B4-178-000120   | Rod Mounting Bracket     | 1           |
| 7               | 7-590-000009    | Red Light                | 2           |
| 8               | 7-590-000010    | Amber Light              | 2           |
| 9               | 5-531-000023    | Amber Reflector          | 2           |
| 10              | 7-115-181450    | Hex Cap Screw            | 4           |
| 11              | 7-660-182301    | Flanged Locknut          | 4           |

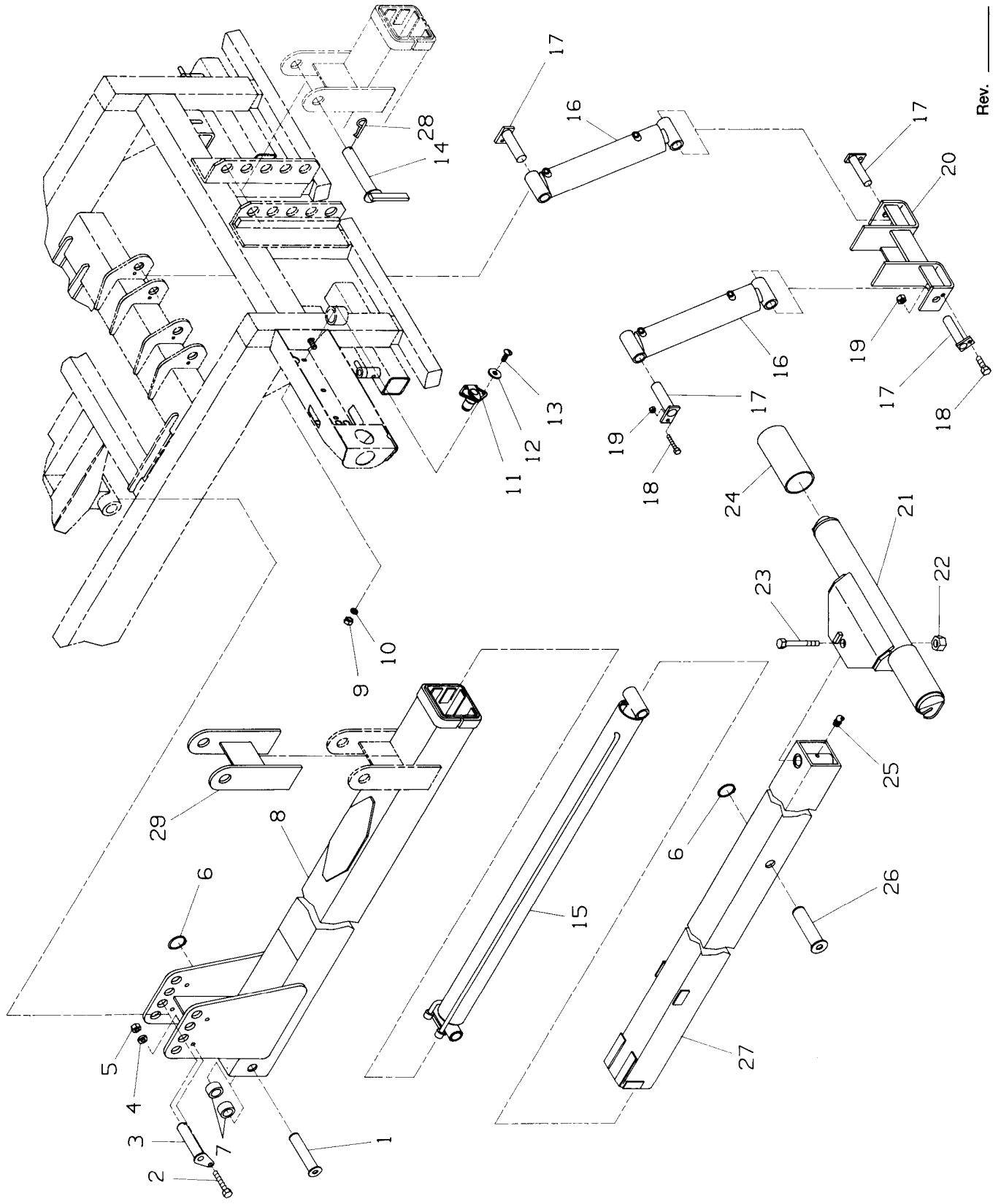
\* Not supplied on Transporter Series.

\*\* See body serial number plate or sales order for proper identification.

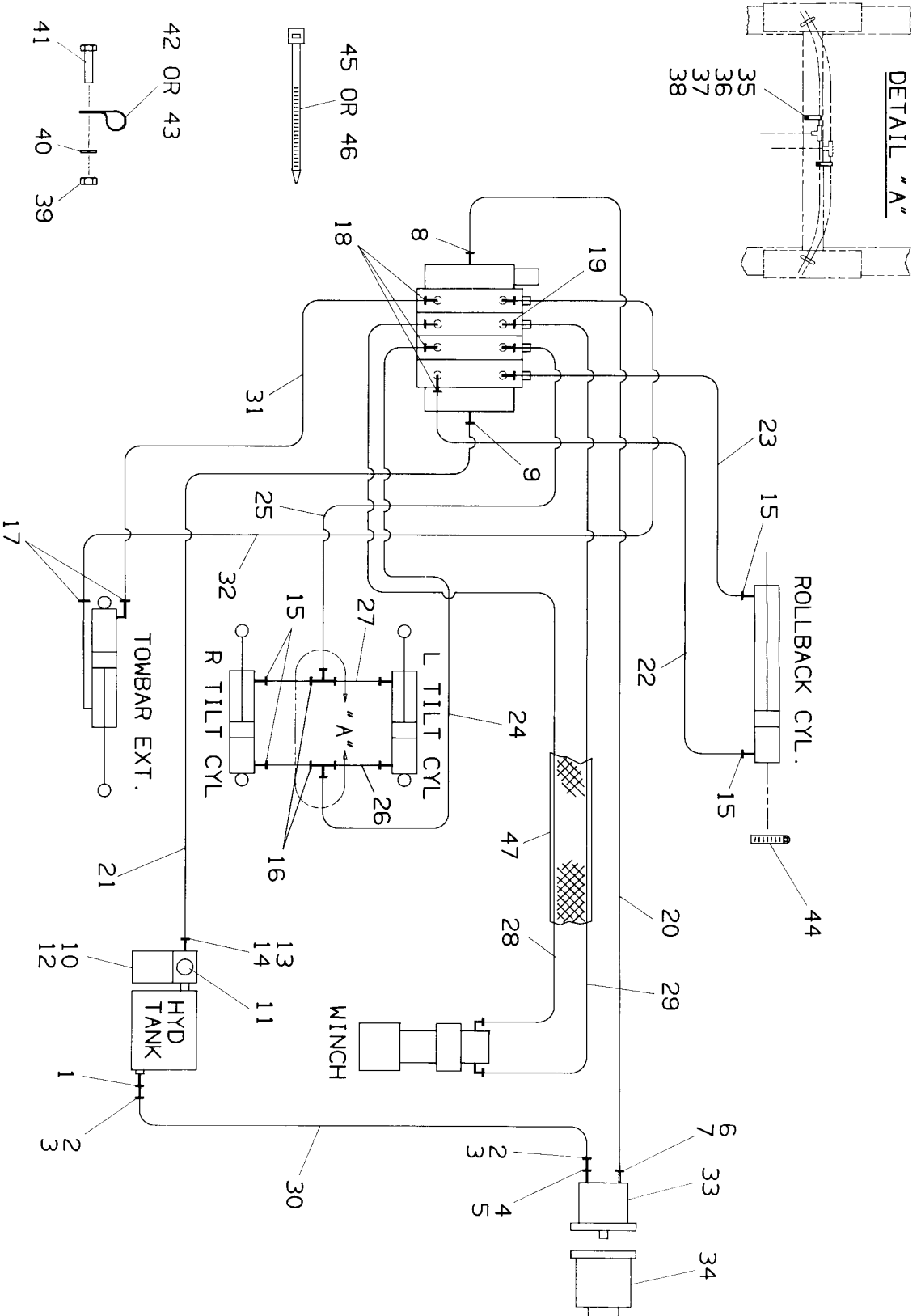
**PARTS LIST — HYDRAULIC TOWBAR WITH AND WITHOUT IRL**

| Ref. No. | Part No.      | Description           | Qty. |
|----------|---------------|-----------------------|------|
| 1        | A3-691-000042 | Cylinder Pin          | 1    |
| 2        | 7-118-151250  | Hex Head Cap Screw    | 1    |
| 3        | 3-691-000074  | Tow Bar Attaching Pin | 1    |
| 4        | 7-950-150161  | Flatwasher            | 1    |
| 5        | 7-660-152600  | Locknut               | 1    |
| 6        | A7-754-000006 | Retaining Ring        | 2    |
| 7        | A4-209-000020 | Spacer                | 2    |
| 8        | D3-170-000029 | Outer Tube            | 1    |
|          |               | (Low Profile Chassis) |      |
|          | D3-170-000023 | Outer Tube            | 1    |
| 9        | 7-660-140000  | Hex Nut               | 2    |
| 10       | 7-950-140000  | Lockwasher            | 2    |
| 11       | A7-291-000003 | Receptacle            | 1    |
| 12       | 7-950-140161  | Flatwasher            | 2    |
| 13       | 7-111-140613  | Truss Head Screw      | 2    |
| 14       | A3-691-000067 | Pin                   | 1    |
| 15       | C3-320-000020 | Tow Bar Cylinder      | 1    |
| 16       | C3-320-000036 | Cylinder Assembly     | 2    |
|          |               | (Low Profile Chassis) |      |
|          | C3-320-000037 | Cylinder Assembly     | 2    |
| 17       | 3-691-000073  | Cylinder Pin          | 4    |
| 18       | 7-115-160850  | Hex Head Cap Screw    | 4    |
| 19       | 7-660-162301  | Locknut               | 4    |
| 20       | C3-178-000015 | Bracket               | 1    |
| 21       | C3-556-000015 | Tow Hitch             | 1    |
| 22       | 7-660-261638  | Locknut               | 1    |
| 23       | A3-691-000016 | Hitch Pin             | 1    |
| 24       | A7-912-000011 | Rubber Tube           | 2    |
| 25       | 7-440-000000  | Grease Fitting        | 1    |
| 26       | A3-691-000011 | Cylinder Cross Pin    | 1    |
| 27       | C3-170-000015 | Inner Tube            | 1    |
| 28       | A7-691-000001 | Hair Pin              | 1    |
| 29       | A3-606-000013 | Lug Weldment          | 1    |
|          |               | (Low Profile Chassis) |      |
|          | A3-606-000012 | Lug Weldment          | 1    |

HYDRAULIC TOW BAR WITH AND WITHOUT IRL



# HYDRAULIC COMPONENTS



**PARTS LIST – HYDRAULIC COMPONENTS**

| Ref. No. | Part No.      | Description            | Qty. |
|----------|---------------|------------------------|------|
| 1        | 7-444-101090  | Street Elbow           | 1    |
| 2        | A7-443-000013 | Nipple                 | 2    |
| 3        | A7-274-000002 | Hose Clamp             | 2    |
| 4        | 7-444-081040  | Reducer                | 1    |
| 5        | 7-650-080120  | Nipple                 | 1    |
| 6        | 7-444-080450  | Reducer                | 1    |
| 7        | 7-445-080829  | 45° Elbow              | 1    |
| 8        | 7-445-081243  | Str. Adapter           | 1    |
| 9        | 7-445-121243  | Str. Adapter           | 1    |
| 10       | A7-430-000003 | Filter Assembly        | 1    |
| 11       | A7-470-000002 | Gauge                  | 1    |
| 12       | A7-431-000001 | Filter Element         | 1    |
| 13       | 7-445-121220  | 90° Elbow              | 1    |
| 14       | 7-444-080654  | Reducer                | 1    |
| 15       | 7-445-060620  | 90° Elbow              | 6    |
| 16       | 7-445-060637  | Tee                    | 2    |
| 17       | 7-445-060643  | Str. Adapter           | 2    |
| 18       | 7-445-061043  | Str. Adapter           | 6    |
| 19       | 7-445-081043  | Str. Adapter           | 4    |
| 20       | As Required   | Pressure Hose          | 1    |
| 21       | 4-567-162156  | Return Hose            | 1    |
| 22       | 4-567-122096  | Roll-Base Hose         | 1    |
| 23       | 4-567-123060  | Roll-Rod Hose          | 1    |
| 24       | 4-567-122144  | Tilt Supply            | 1    |
| 25       | 4-567-123144  | Tilt Supply            | 1    |
| 26       | 4-567-120038  | Tilt Base              | 2    |
| 27       | 4-567-120040  | Tilt Rod               | 2    |
| 28       | As Required   | Winch Hose             | 1    |
| 29       | As Required   | Winch Hose             | 1    |
| 30       | A4-570-000014 | Suction Hose           | 1    |
| 31       | 4-567-122054  | Tow Bar Base Hose      | 1    |
| 32       | 4-567-123054  | Tow Bar Rod Hose       | 1    |
| 33       | A7-724-000002 | Hyd. Pump              | 1    |
| 34       | As Required   | P.T.O.                 | 1    |
| 35       | B4-274-000001 | Hose Clamp             | 1    |
| 36       | 7-111-161050  | Hex Head Bolt          | 1    |
| 37       | 7-660-160000  | Hex Nut                | 1    |
| 38       | 7-950-160000  | Lockwasher             | 1    |
| 39       | 7-660-140000  | Hex Nut                | 15   |
| 40       | 7-950-140000  | Lockwasher             | 15   |
| 41       | 7-111-140850  | Hex Head Bolt          | 15   |
| 42       | A7-274-000008 | Small Loop Clamp       | 10   |
| 43       | A7-274-000003 | Large Loop Clamp       | 5    |
| 44       | A7-274-000011 | Hose Clamp             | 3    |
| 45       | A7-894-000003 | Long Tie Strap         | 15   |
| 46       | A7-894-000004 | Short Tie Strap        | 15   |
| 47       | A4-570-000022 | Fire Hose              | 1    |
| 48       | B4-525-000218 | Hose Clamp (Not Shown) | 5    |

Rev. \_\_\_\_\_

4.8

Date \_\_\_\_\_

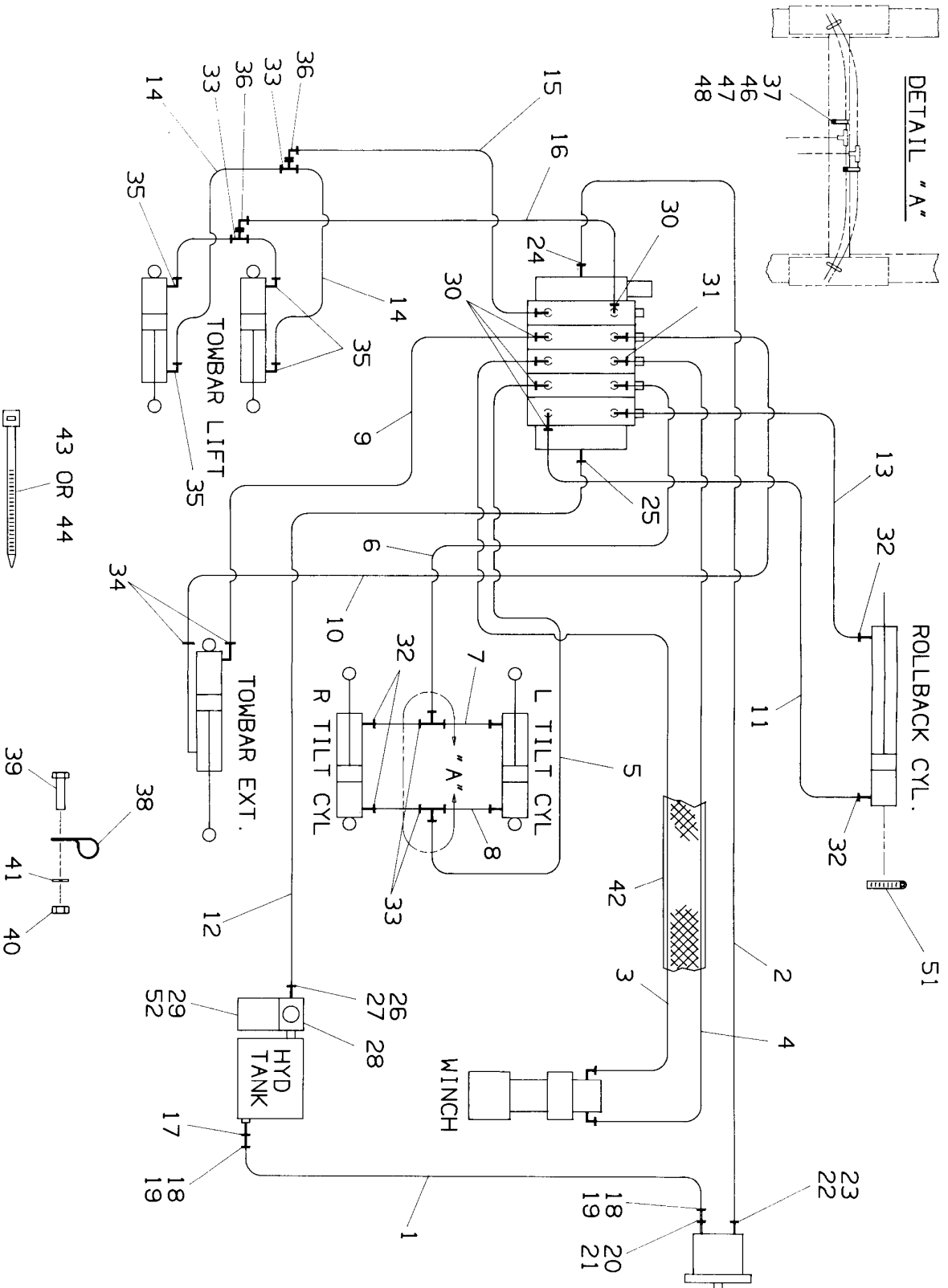
**PARTS LIST — HYDRAULIC COMPONENTS WITH IRL TOW BAR**

| Ref. No. | Part No.      | Description               | Qty. |
|----------|---------------|---------------------------|------|
| 1        | A4-570-000014 | Suction Hose              | 1    |
| 2        | As Required   | Pressure Hose             | 1    |
| 3        | As Required   | Winch Hose                | 1    |
| 4        | As Required   | Winch Hose                | 1    |
| 5        | 4-567-122144  | Tilt Supply Hose          | 1    |
| 6        | 4-567-123144  | Tilt Supply Hose          | 1    |
| 7        | 4-567-120040  | Tilt Rod Hose             | 2    |
| 8        | 4-567-120038  | Tilt Base Hose            | 2    |
| 9        | 4-567-122054  | Tow Bar Base Hose         | 1    |
| 10       | 4-567-123054  | Tow Bar Rod Hose          | 1    |
| 11       | 4-567-122096  | Roll Rod Hose             | 1    |
| 12       | 4-567-162156  | Return Hose               | 1    |
| 13       | 4-567-123060  | Roll Base Hose            | 1    |
| 14       | 4-567-122034  | Tow Bar Lift Hose         | 4    |
| 15       | 4-567-122054  | Tow Bar Lift Supply Hose  | 1    |
| 16       | 4-567-123054  | Tow Bar Lift Supply Hose  | 1    |
| 17       | 7-444-101090  | Street Elbow              | 1    |
| 18       | A7-274-000002 | Hose Clamp                | 2    |
| 19       | A7-443-000013 | Nipple                    | 2    |
| 20       | 7-444-081040  | Reducer                   | 1    |
| 21       | 7-650-080120  | Nipple                    | 1    |
| 22       | 7-444-080450  | Reducer                   | 1    |
| 23       | 7-445-080829  | 45° Elbow                 | 1    |
| 24       | 7-445-081243  | Str Adapter               | 1    |
| 25       | 7-445-121243  | Str Adapter               | 1    |
| 26       | 7-444-080654  | Reducer                   | 1    |
| 27       | 7-445-121220  | 90° Elbow                 | 1    |
| 28       | A7-430-000003 | Filter Assembly           | 1    |
| 29       | A7-470-000002 | Gauge                     | 1    |
| 30       | 7-445-061043  | Str Adapter               | 8    |
| 31       | 7-445-081043  | Str Adapter               | 2    |
| 32       | 7-445-060620  | 90° Elbow                 | 6    |
| 33       | 7-445-060637  | Tee                       | 4    |
| 34       | 7-445-060643  | Str Adapter               | 2    |
| 35       | 7-445-060645  | 90° Elbow                 | 5    |
| 36       | 7-445-060672  | 90° Elbow                 | 2    |
| 37       | A7-274-000003 | Hose Loop                 | 7    |
| 38       | A7-274-000008 | Hose Clamp                | 10   |
| 39       | 7-111-140850  | Bolt                      | 15   |
| 40       | 7-660-140000  | Nut                       | 15   |
| 41       | 7-950-140000  | Lockwasher                | 15   |
| 42       | A4-570-000022 | Fire Hose                 | 1    |
| 43       | A7-894-000003 | Tie Strap                 | 15   |
| 44       | A7-894-000004 | Tie Strap                 | 15   |
| 45       | B4-525-000218 | Hose Clamp (Not Shown)    | 5    |
| 46       | 7-111-140850  | Hex Head Bolt             | 2    |
| 47       | 7-660-140000  | Nut                       | 2    |
| 48       | 7-950-140000  | Lockwasher                | 2    |
| 49       | 7-111-140950  | Hex Head Bolt (Not Shown) | 2    |
| 50       | A4-706-000549 | Plate (Not Shown)         | 1    |
| 51       | A7-274-000011 | Hose Clamp                | 3    |
| 52       | A7-431-000001 | Filter Element            | 1    |

Rev. \_\_\_\_\_

Date \_\_\_\_\_

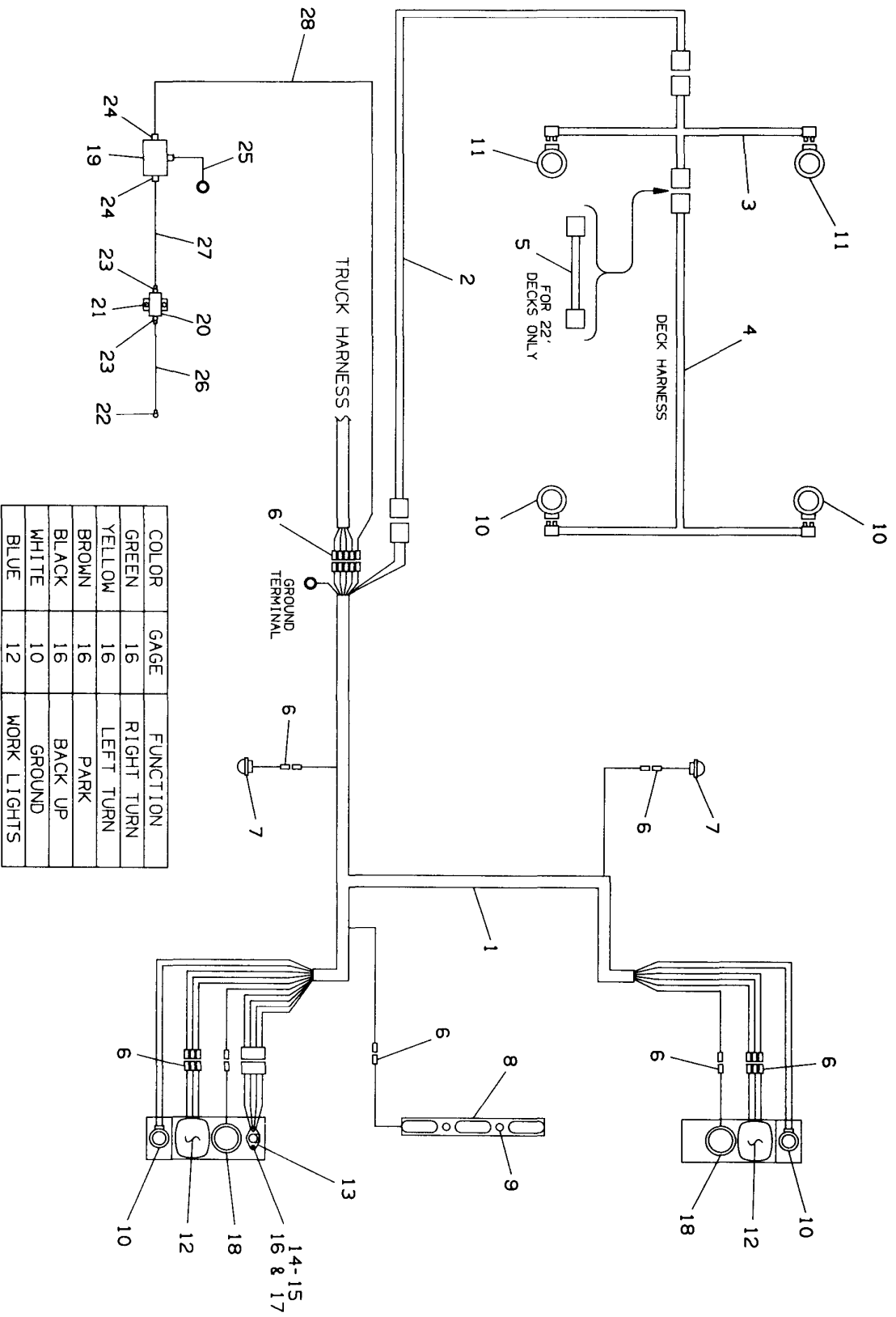
# HYDRAULIC COMPONENTS WITH IRL TOW BAR



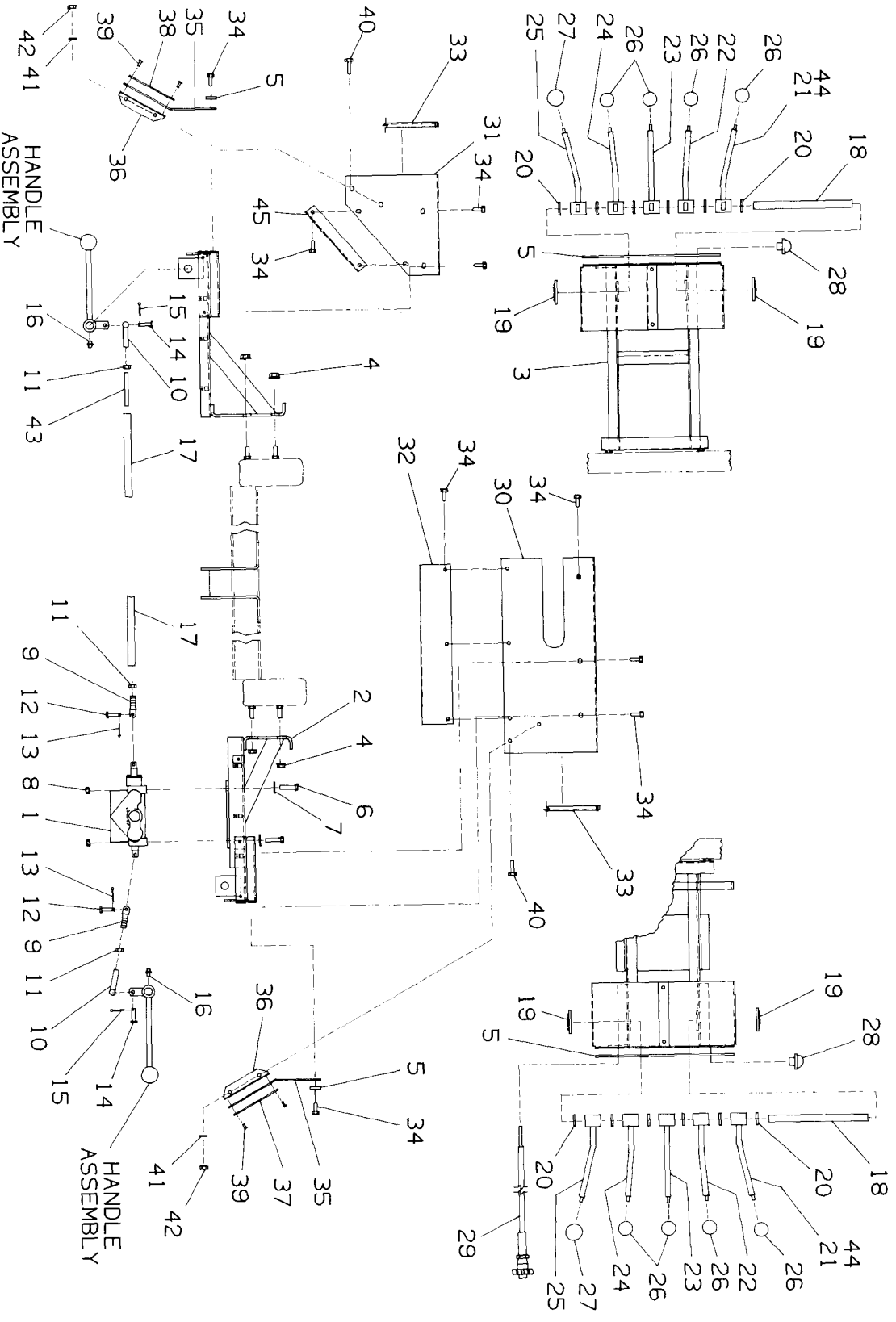
## PARTS LIST — LIGHTS AND WIRING

| Ref. No. | Part No.         | Description                                      | Qty. |
|----------|------------------|--|------|
| 1        | D7-552-000020    | Wiring Harness-Subframe                          | 1    |
| 2        | B7-552-000024    | Wiring Harness-Sub to Deck                       | 1    |
| 3        | B7-552-000021    | Wiring Harness-Front Deck                        | 1    |
| 4        | B7-552-000022    | Wiring Harness-Rear Deck                         | 1    |
| 5        | B7-552-000023    | Wiring Harness-Extension<br>(For 22' Decks Only) | 1    |
| 6        | 7-345-001703     | Terminal Pin                                     | 16   |
| 7        | A7-590-000012    | Light  | 2    |
| 8        | A7-590-000007    | Bar Lamp   | 1    |
| 9        | 7-790-141056     | Self Tapping Screw                               | 2    |
| 10       | 7-590-000009     | Red Light  | 4    |
| 11       | 7-590-000010     | Amber Light                                      | 2    |
| 12       |                  | Stop-Tail-Turn Light                             | 2    |
| 13       | A7-291-000003    | Female Receptacle                                | 1    |
| 14       | 7-111-140613     | Truss Head Screw                                 | 2    |
| 15       | 7-660-140000     | Nut  | 2    |
| 16       | 7-950-140000     | Lockwasher                                       | 2    |
| 17       | 7-950-140161     | Flatwasher                                       | 2    |
| 18       | A7-590-000011    | Work Lights                                      | 2    |
| 19       | A7-870-000003    | Auxiliary Switch                                 | 1    |
| 20       | A7-457-000004    | Circuit Breaker                                  | 1    |
| 21       | 7-790-100856     | Screw  | 2    |
| 22       | 7-345-231901     | Terminal   | 1    |
| 23       | 7-345-211901     | Terminal   | 2    |
| 24       | 7-345-001909     | Female Tab                                       | 2    |
| 25       | A3-978-000006    | Wire Assembly                                    | 1    |
| 26       | Length as Req'd. | 10 Ga. Wire                                      | 1    |
| 27       | Length as Req'd. | 10 Ga. Wire                                      | 1    |
| 28       | Length as Req'd. | 10 Ga. Wire                                      | 1    |

# LIGHTS AND WIRING



# DUAL CONTROLS



E

5-375-000047-REV-0

4.13

Rev. \_\_\_\_\_  
Date \_\_\_\_\_

**PARTS LIST — DUAL CONTROLS (5 BANK VALVE SHOWN)**

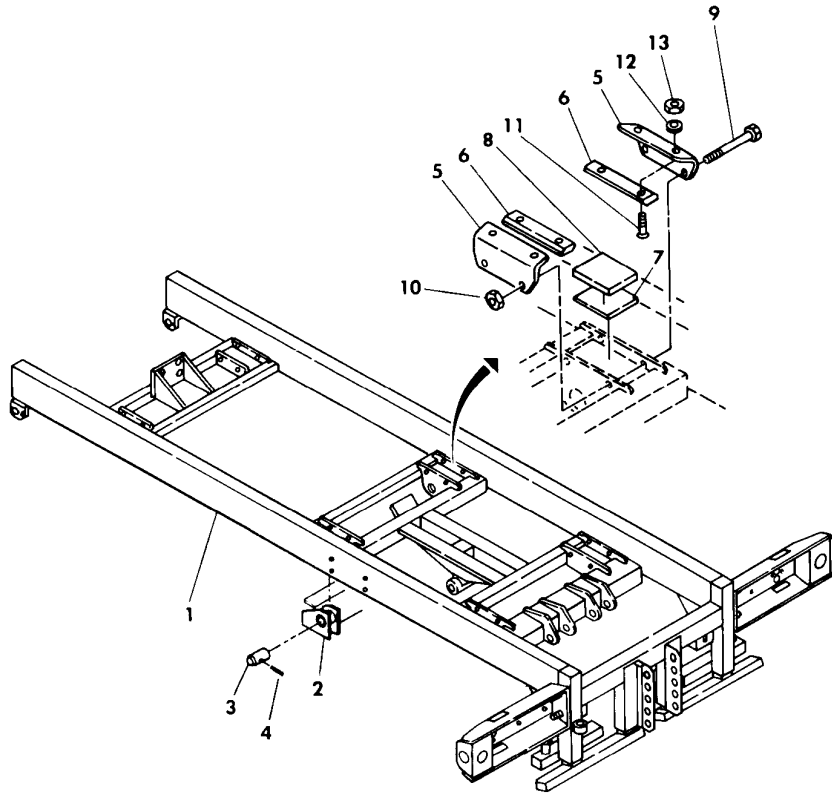
| Ref. No. | Part No.      | Description                           | Qty.   |
|----------|---------------|---------------------------------------|--------|
| 1        | A4-935-000014 | Control Valve                         | 1      |
| 2        | D3-177-000022 | Support Weldment                      | 1      |
| 3        | D3-177-000021 | Support Weldment                      | 1      |
| 4        | 7-660-182301  | Hex Nut                               | 4      |
| 5        | A4-706-000645 | Plate                                 | 2      |
| 6        | 7-111-162250  | Bolt                                  | 3      |
| 7        | 7-950-160141  | Flatwasher                            | 3      |
| 8        | 7-660-161605  | Nylok Nut                             | 3      |
| 9        | A7-765-000003 | Rod End                               | 8, 10  |
| 10       | A7-277-000001 | Clevis                                | 8, 10  |
| 11       | 7-660-150230  | Jam Nut                               | 12, 15 |
| 12       | 7-690-141200  | Clevis Pin                            | 8, 10  |
| 13       | 7-690-000810  | Cotter Pin                            | 8, 10  |
| 14       | 7-690-151600  | Clevis Pin                            | 8, 10  |
| 15       | 7-690-051610  | Cotter Pin                            | 8, 10  |
| 16       | 7-440-030000  | Grease Fitting                        | 8, 10  |
| 17       | B3-763-000048 | Control Rod Assembly                  | 4, 5   |
| 18       | A4-691-000106 | Pin                                   | 2      |
| 19       | A7-754-000009 | Retaining Ring                        | 4      |
| 20       | 7-950-220141  | Flatwasher                            | 16     |
| 21       | C3-551-000013 | Handle Weldment                       | 0, 2   |
| 22       | C3-551-000002 | Handle Weldment                       | 2, 2   |
| 23       | C3-551-000017 | Handle Weldment                       | 2, 2   |
| 24       | C3-551-000001 | Handle Weldment                       | 2, 2   |
| 25       | C3-551-000012 | Handle Weldment                       | 2, 2   |
| 26       | A7-551-000002 | Knob (Black)                          | 6, 8   |
| 27       | A7-551-000003 | Knob (Red)                            | 2, 2   |
| 28       | A7-590-000012 | Light                                 | 2      |
| 29       | A7-295-000002 | Throttle Cable                        | 1      |
| 30       | C4-560-000010 | Control Panel Hood                    | 1      |
| 31       | C4-560-000012 | Control Panel Hood                    | 1      |
| 32       | C4-706-000853 | Splash Guard                          | 1      |
| 33       | 7-632-044033  | Moulding                              | 2      |
| 34       | 7-790-141056  | Self Tapping Screw                    | 18     |
| 35       | C4-314-000018 | Cover Plate                           | 2      |
| 36       | A4-017-000056 | Angle                                 | 4      |
| 37       | C7-330-000096 | Decal, L.H. (IRL)                     | 1      |
|          | C7-330-000115 | Decal, L.H. (Rear Stabilizer)         | 1      |
| 38       | C7-330-000095 | Decal, R.H. (IRL)                     | 1      |
|          | C7-330-000114 | Decal, R.H. (Rear Stabilizer)         | 1      |
| 39       | A7-759-000004 | Rivet                                 | 8      |
| 40       | 7-111-150813  | Truss Head Bolt                       | 18     |
| 41       | 7-950-150000  | Lockwasher                            | 18     |
| 42       | 7-660-150000  | Nut                                   | 18     |
| 43       | A4-763-000064 | Threaded Rod                          | 4, 5   |
| 44       | A4-209-000021 | Spacer Bushing<br>(4 Bank Valve Only) | 2, 0   |
| 45       | C4-706-000779 | Splash Guard                          | 1      |

Rev. \_\_\_\_\_

4.14

Date \_\_\_\_\_

SUBFRAME



4.15

Rev. \_\_\_\_\_

Date \_\_\_\_\_

---

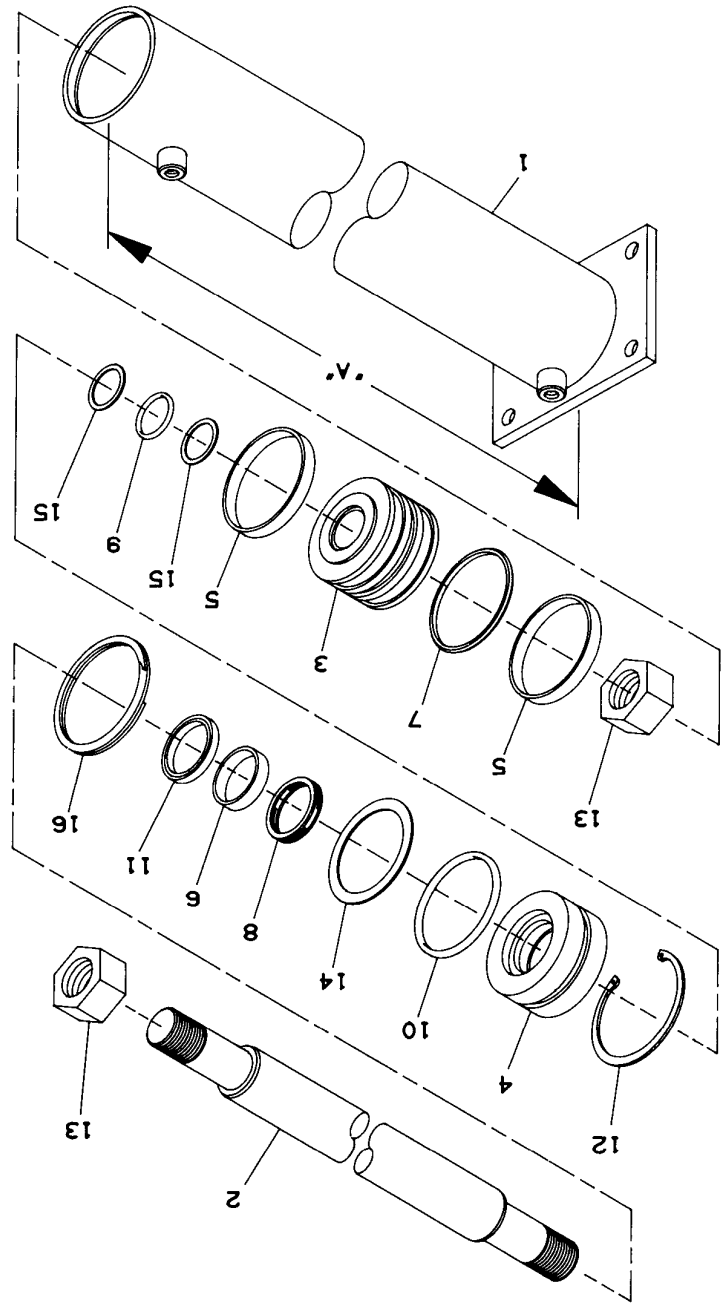
**PARTS LIST – SUBFRAME**

| <b>Ref. No.</b> | <b>Part No.</b> | <b>Description</b> | <b>Qty.</b> |
|-----------------|-----------------|--------------------|-------------|
| 1               | D3-533-700020   | Subframe           | 1           |
| 2               | C3-905-000001   | Trunnion           | 1           |
| 3               | A4-691-000126   | Hinge Pin          | 2           |
| 4               | 7-690-164040    | Roll Pin           | 2           |
| 5               | B4-706-000111   | Nylatron Holder    | 12          |
| 6               | A4-679-000008   | Wear Pad           | 12          |
| 7               | A4-534-0-00176  | Nylatron Spacer    | 6           |
| 8               | A4-534-0-00171  | Nylatron Pad       | 6           |
| 9               | 7-115-185250    | Hex Head Bolt      | 12          |
| 10              | 7-660-181600    | Hex Lock Nut       | 12          |
| 11              | 7-111-161207    | Flat Head Screw    | 24          |
| 12              | 7-950-160000    | Lockwasher         | 24          |
| 13              | 7-660-160000    | Hex Nut            | 24          |

4.16

Rev. \_\_\_\_\_

Date \_\_\_\_\_



ROLL BACK CYLINDER

---

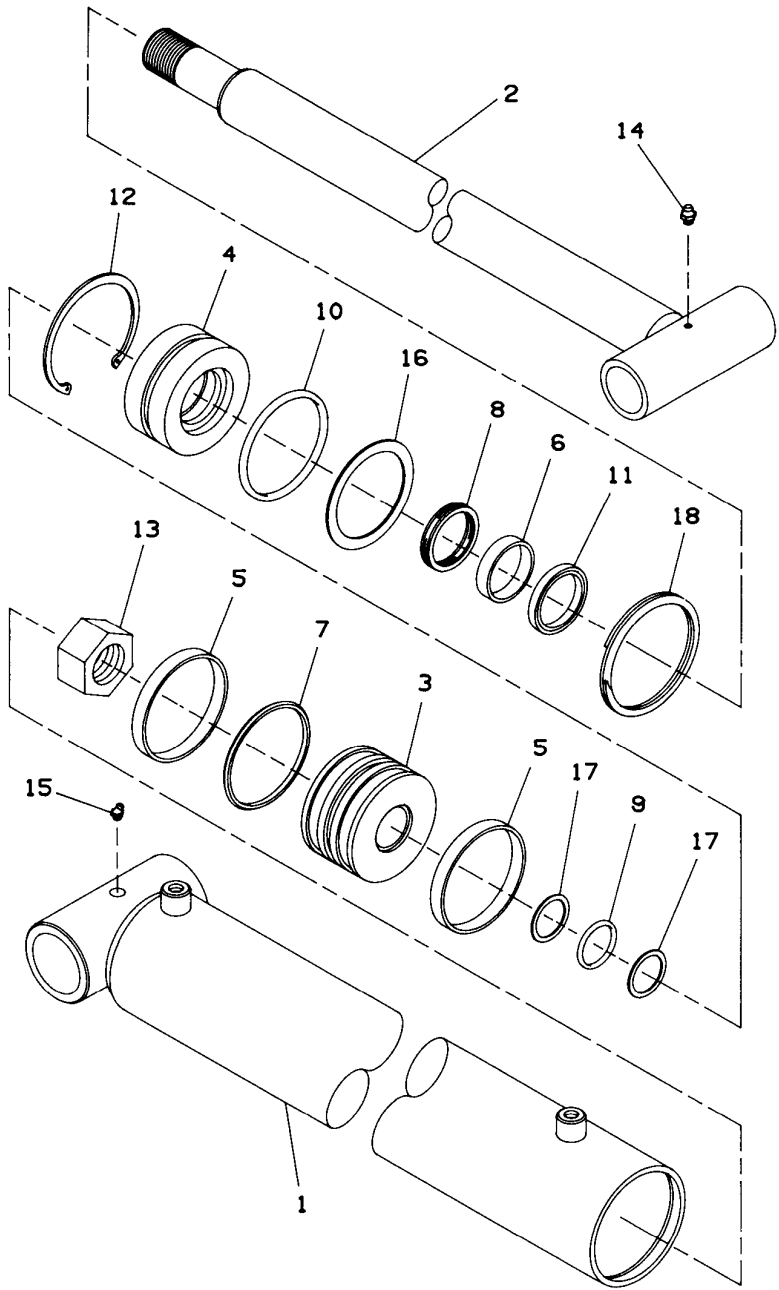
**PARTS LIST — ROLL BACK CYLINDER**

**C3-320-000015**  
**C3-320-000026**  
**C3-320-000035**

| <b>Ref. No.</b> | <b>Part No.</b> | <b>Description</b>  | <b>Qty.</b> |
|-----------------|-----------------|---------------------|-------------|
| 1               | C3-071-000015   | Barrel ("A"=102.75) | 1           |
|                 | C3-071-000024   | Barrel ("A"=114.75) | 1           |
|                 | C3-071-000033   | Barrel ("A"=126.75) | 1           |
| 2               | 4-763-000090    | Rod ("A"=102.75)    | 1           |
|                 | 4-763-000091    | Rod ("A"=114.75)    | 1           |
|                 | 4-763-000092    | Rod ("A"=126.75)    | 1           |
| 3               | B4-698-000009   | Piston              | 1           |
| 4               | B4-553-000010   | Head                | 1           |
| 5               | A7-796-000013*  | Ring Wear           | 2           |
| 6               | A7-796-000012*  | Ring Wear           | 1           |
| 7               | A7-796-000014*  | Seal Piston         | 1           |
| 8               | 7-796-000025*   | Seal Rod            | 1           |
| 9               | 7-755-226000*   | "O" Ring            | 1           |
| 10              | 7-755-338000*   | "O" Ring            | 1           |
| 11              | A7-796-000011*  | Seal Rod Wiper      | 1           |
| 12              | A7-754-000016*  | Ring, Retaining     | 1           |
| 13              | 7-660-342031    | Locknut             | 2           |
| 14              | 7-755-338609*   | Ring, Backup        | 1           |
| 15              | 7-755-326609*   | Ring, Backup        | 2           |
| 16              | 7-754-000027*   | Ring, Retainer      | 1           |

\* Available only in service kit #7-577-250025.

# TILT CYLINDER



---

**PARTS LIST – TILT CYLINDER  
C1-700-1-00024**

| <b>Ref. No.</b> | <b>Part No.</b> | <b>Description</b>  | <b>Qty.</b> |
|-----------------|-----------------|---------------------|-------------|
| 1               | C2-700-200033   | Barrel              | 1           |
| 2               | 3-763-000032    | Rod                 | 1           |
| 3               | B4-698-000007   | Piston              | 1           |
| 4               | B4-533-000008   | Head                | 1           |
| 5               | A7-754-000003*  | Ring, Wear          | 2           |
| 6               | A7-754-000004*  | Ring, Wear          | 1           |
| 7               | A7-796-000006*  | Seal, Piston 'T'    | 1           |
| 8               | A7-796-000024*  | Seal, Rod           | 1           |
| 9               | 7-755-224000*   | "O" Ring            | 1           |
| 10              | 7-755-334000*   | "O" Ring            | 1           |
| 11              | A7-796-000008*  | Seal, Rod Wiper     | 1           |
| 12              | A7-754-000002*  | Ring, Retaining     | 1           |
| 13              | 7-660-262031    | Nut, Lock           | 1           |
| 14              | 7-440-000000    | Fitting, Grease     | 1           |
| 15              | 7-440-000200    | Fitting, Grease-45° | 1           |
| 16              | 7-755-334609*   | Ring, Backup        | 1           |
| 17              | 7-755-224609*   | Ring, Backup        | 2           |
| 18              | 7-754-000026*   | Ring, Retaining     | 1           |

\* Available only in service kit #7-577-250024.



**PARTS LIST — IRL CYLINDER**

**C3-320-000037**

| <b>Ref. No.</b> | <b>Part No.</b> | <b>Description</b>  | <b>Qty.</b> |
|-----------------|-----------------|---------------------|-------------|
| 1               | C3-071-000035   | Barrel              | 1           |
| 2               | 3-763-000047    | Rod                 | 1           |
| 3               | B4-698-000007   | Piston              | 1           |
| 4               | B4-533-000008   | Head                | 1           |
| 5               | A7-754-000003*  | Ring, Wear          | 2           |
| 6               | A7-754-000004*  | Ring, Wear          | 1           |
| 7               | A7-796-000006*  | Seal, Piston T      | 1           |
| 8               | A7-796-000024*  | Seal, Rod           | 1           |
| 9               | 7-755-224000*   | "O" Ring            | 1           |
| 10              | 7-755-334000*   | "O" Ring            | 1           |
| 11              | A7-796-000008*  | Seal, Rod Wiper     | 1           |
| 12              | A7-754-000002*  | Ring, Retaining     | 1           |
| 13              | 7-660-262031    | Nut, Lock           | 1           |
| 14              | 7-440-000000    | Fitting, Grease     | 1           |
| 15              | 7-440-000200    | Fitting, Grease-45° | 1           |
| 16              | 7-755-224609*   | Ring, Backup        | 1           |
| 17              | 7-755-334609*   | Ring, Backup        | 2           |
| 18              | 7-754-000027*   | Ring, Retaining     | 1           |

**PARTS LIST — IRL CYLINDER**

**C3-320-000036**

| <b>Ref. No.</b> | <b>Part No.</b> | <b>Description</b>  | <b>Qty.</b> |
|-----------------|-----------------|---------------------|-------------|
| 1               | C3-071-000034   | Barrel              | 1           |
| 2               | 3-763-000047    | Rod                 | 1           |
| 3               | B4-698-000007   | Piston              | 1           |
| 4               | B4-533-000008   | Head                | 1           |
| 5               | A7-754-000003*  | Ring, Wear          | 2           |
| 6               | A7-754-000004*  | Ring, Wear          | 1           |
| 7               | A7-796-000006*  | Seal, Piston T      | 1           |
| 8               | A7-796-000024*  | Seal, Rod           | 1           |
| 9               | 7-755-224000*   | "O" Ring            | 1           |
| 10              | 7-755-334000*   | "O" Ring            | 1           |
| 11              | A7-796-000008*  | Seal, Rod Wiper     | 1           |
| 12              | A7-754-000002*  | Ring, Retaining     | 1           |
| 13              | 7-660-262031    | Nut, Lock           | 1           |
| 14              | 7-440-000000    | Fitting, Grease     | 1           |
| 15              | 7-440-000200    | Fitting, Grease-45° | 1           |
| 16              | 7-755-224609*   | Ring, Backup        | 1           |
| 17              | 7-755-334609*   | Ring, Backup        | 2           |
| 18              | 7-754-000027*   | Ring, Retaining     | 1           |

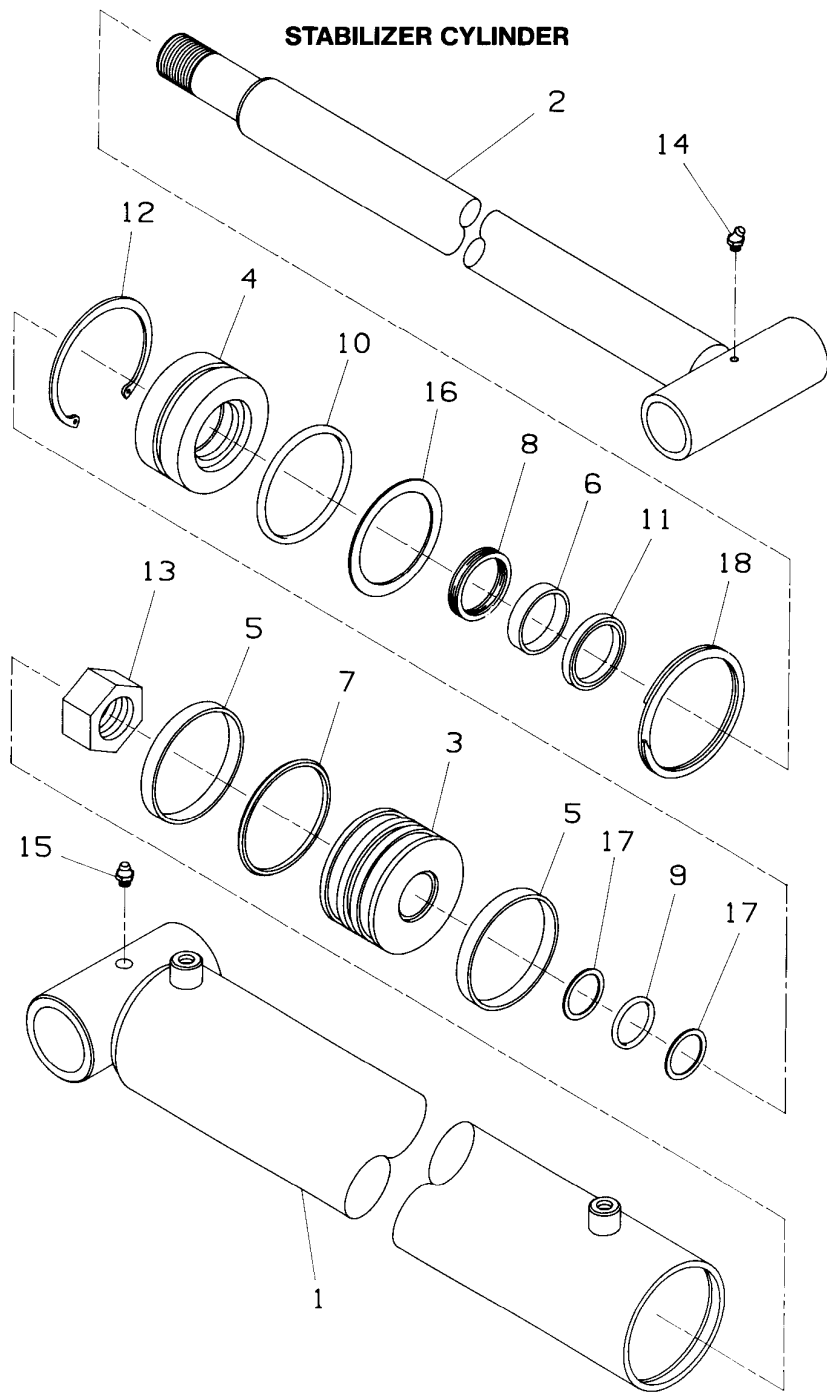
\* Available only in service kit #7-577-250024.

Rev. \_\_\_\_\_

4.22

Date \_\_\_\_\_

**STABILIZER CYLINDER**



Rev. \_\_\_\_\_

Date \_\_\_\_\_

---

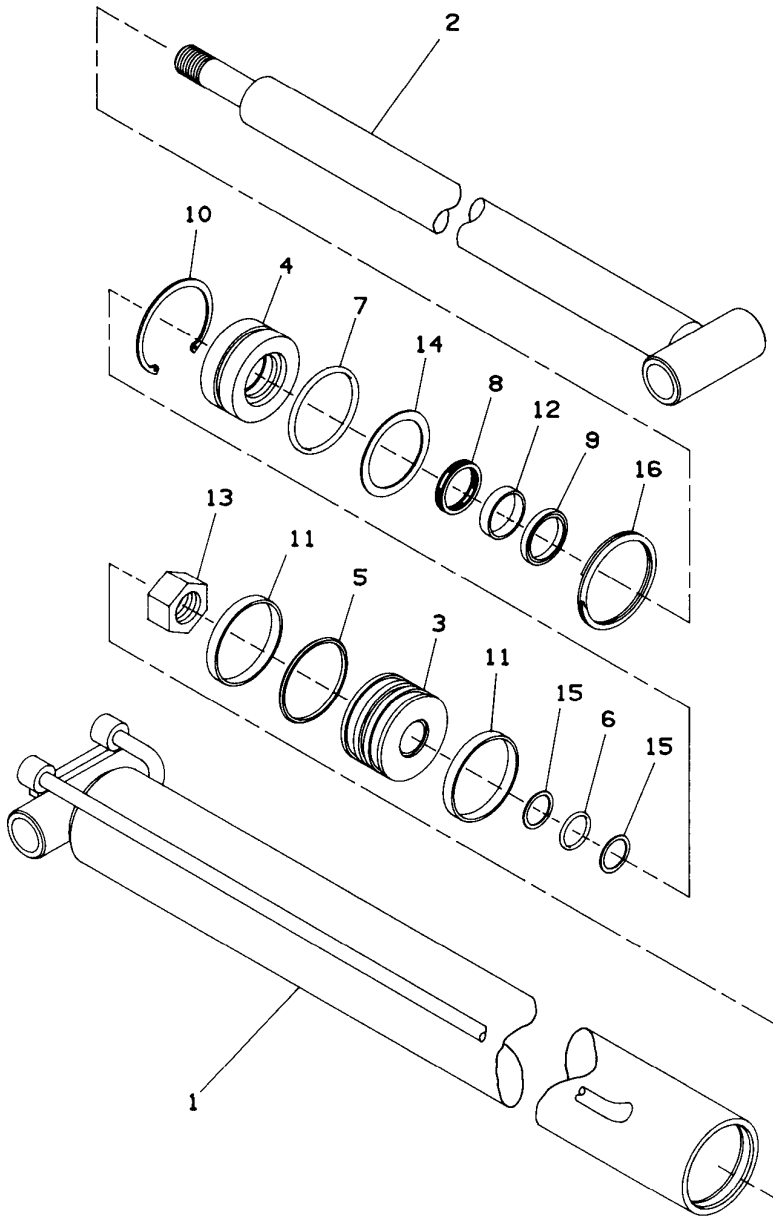
**PARTS LIST — STABILIZER CYLINDER**

**C1-700-1-00019**

| <b>Ref. No.</b> | <b>Part No.</b> | <b>Description</b>  | <b>Qty.</b> |
|-----------------|-----------------|---------------------|-------------|
| 1               | C2-700-200021   | Barrel              | 1           |
| 2               | 3-763-000027    | Rod                 | 1           |
| 3               | B4-698-000007   | Piston              | 1           |
| 4               | B4-533-000008   | Head                | 1           |
| 5               | A7-754-000003*  | Ring, Wear          | 2           |
| 6               | A7-754-000004*  | Ring, Wear          | 1           |
| 7               | A7-796-000006*  | Seal, Piston 'T'    | 1           |
| 8               | A7-796-000024*  | Seal, Rod           | 1           |
| 9               | 7-755-224000*   | "O" Ring            | 1           |
| 10              | 7-755-334000*   | "O" Ring            | 1           |
| 11              | A7-796-000008*  | Seal, Rod Wiper     | 1           |
| 12              | A7-754-000002*  | Ring, Retaining     | 1           |
| 13              | 7-660-262031    | Nut, Lock           | 1           |
| 14              | 7-440-000200    | Fitting, Grease-45° | 1           |
| 15              | 7-440-000000    | Fitting, Grease     | 1           |
| 16              | 7-755-334609*   | Ring, Backup        | 1           |
| 17              | 7-755-224609*   | Ring, Backup        | 2           |
| 18              | 7-754-000026*   | Ring, Retaining     | 1           |

\* Available only in service kit #7-577-250024.

# TOW BAR CYLINDER



Rev. \_\_\_\_\_

Date \_\_\_\_\_

5-375-000057-REV-0

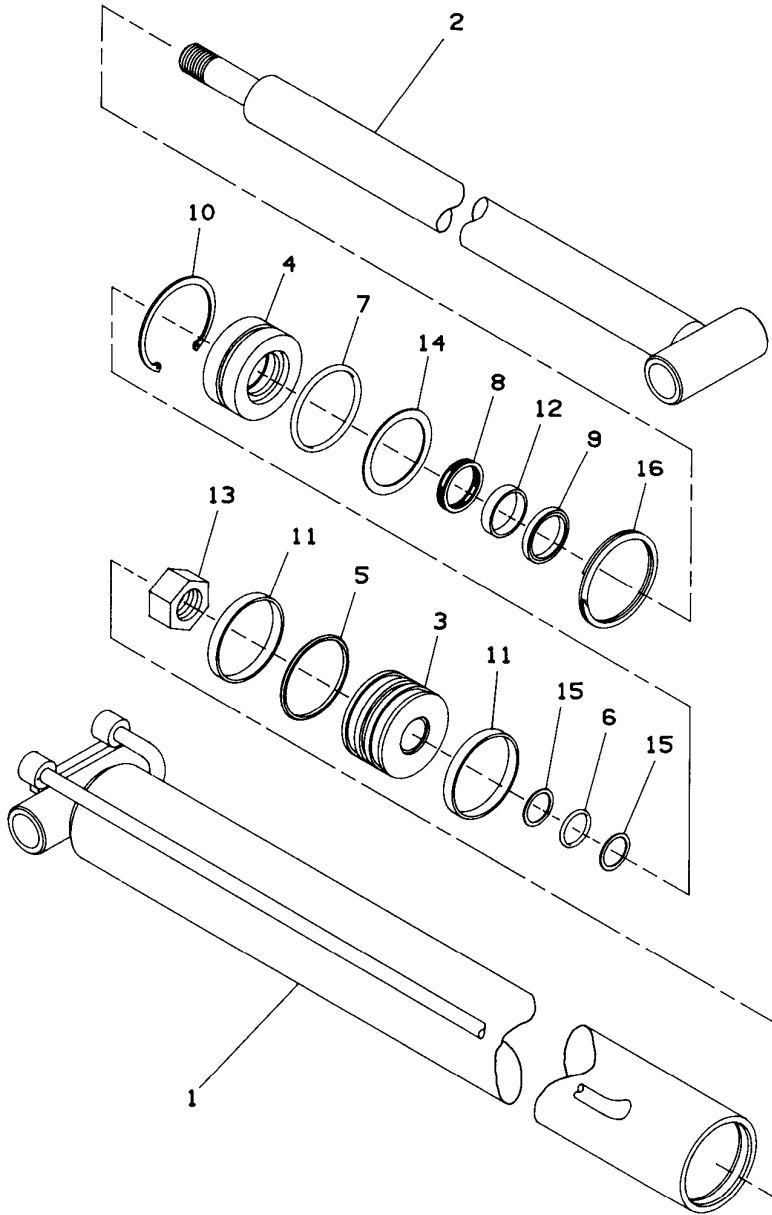
4.25

**PARTS LIST – TOWBAR CYLINDER**  
C3-320-000020

| <b>Ref. No.</b> | <b>Part No.</b> | <b>Description</b> | <b>Qty.</b> |
|-----------------|-----------------|--------------------|-------------|
| 1               | C3-071-000020   | Barrel             | 1           |
| 2               | B3-763-000035   | Rod                | 1           |
| 3               | B4-698-000007   | Piston             | 1           |
| 4               | B4-553-000008   | Head               | 1           |
| 5               | A7-796-000006*  | Seal, Piston 'T'   | 1           |
| 6               | 7-755-224000*   | "O" Ring           | 1           |
| 7               | 7-755-334000*   | "O" Ring           | 1           |
| 8               | A7-796-000024*  | Seal, Rod          | 1           |
| 9               | A7-796-000008*  | Seal, Rod Wiper    | 1           |
| 10              | A7-754-000002*  | Ring, Retaining    | 1           |
| 11              | A7-754-000003*  | Ring, Wear         | 1           |
| 12              | A7-754-000004*  | Ring, Wear         | 1           |
| 13              | 7-660-262031    | Nut, Lock          | 1           |
| 14              | 7-755-334609*   | Ring, Backup       | 1           |
| 15              | 7-755-224609*   | Ring, Backup       | 2           |
| 16              | 7-754-000026*   | Ring, Retaining    | 1           |

\* Available only in service kit #7-577-250024.

# WHEEL LIFT TOW BAR CYLINDER



5-375-000057-REV-0

4.27

Rev. \_\_\_\_\_

Date \_\_\_\_\_

---

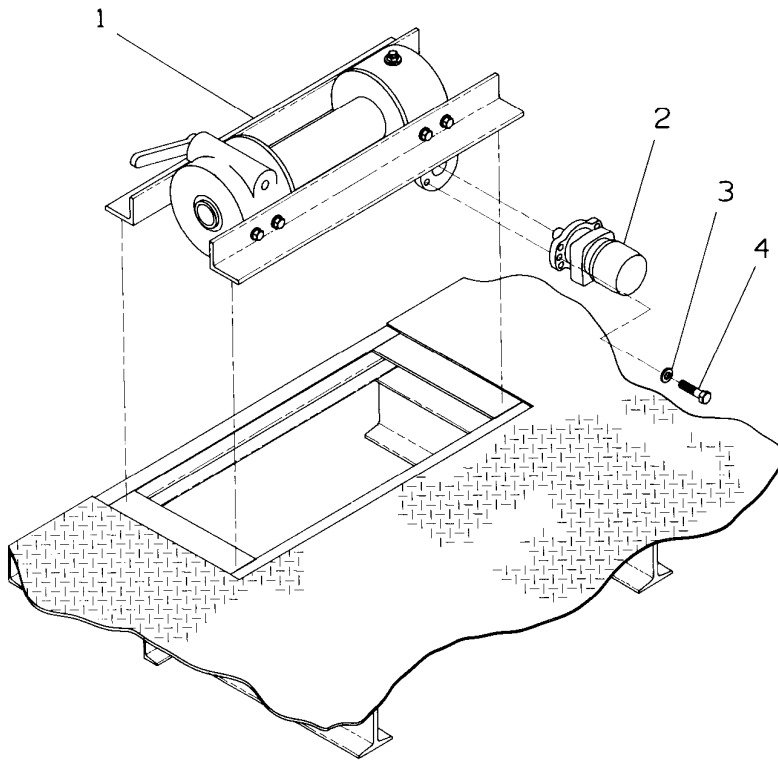
**PARTS LIST – WHEEL LIFT TOWBAR CYLINDER**

C3-320-000021

| <b>Ref. No.</b> | <b>Part No.</b> | <b>Description</b> | <b>Qty.</b> |
|-----------------|-----------------|--------------------|-------------|
| 1               | C3-071-000021   | Barrel             | 1           |
| 2               | B3-763-000036   | Rod                | 1           |
| 3               | B4-698-000007   | Piston             | 1           |
| 4               | B4-553-000008   | Head               | 1           |
| 5               | A7-796-000006*  | Seal, Piston 'T'   | 1           |
| 6               | 7-755-224000*   | "O" Ring           | 1           |
| 7               | 7-755-334000*   | "O" Ring           | 1           |
| 8               | A7-796-000024*  | Seal, Rod          | 1           |
| 9               | A7-796-000008*  | Seal, Rod Wiper    | 1           |
| 10              | A7-754-000002*  | Ring, Retaining    | 1           |
| 11              | A7-754-000003*  | Ring, Wear         | 1           |
| 12              | A7-754-000004*  | Ring, Wear         | 1           |
| 13              | 7-660-262031    | Nut, Lock          | 1           |
| 14              | 7-755-334609*   | Ring, Backup       | 1           |
| 15              | 7-755-224609*   | Ring, Backup       | 2           |
| 16              | 7-754-000026*   | Ring, Retaining    | 1           |

\* Available only in service kit #7-577-250024.

10,000 LB.  
**WINCH ASSEMBLY**  
 (8 TON DECK OPTION)



**PARTS LIST — 10,000 LB. WINCH ASSEMBLY**  
**(8 TON DECK OPTION)**

| Ref. No. | Part No.      | Description       | Qty. |
|----------|---------------|-------------------|------|
| 1        | C7-970-000012 | Hydraulic Winch   | 1    |
| 2        | B7-626-000009 | Orbit Motor       | 1    |
| 3        | 7-950-180000  | Lockwasher        | 2    |
| 4        | 7-115-181250  | Hex Head Capscrew | 2    |

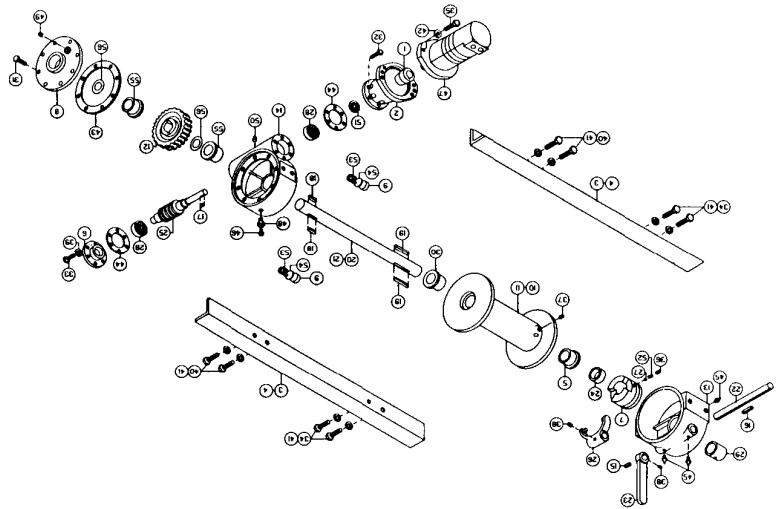
5-375-000059-REV-0

4.29

Rev. \_\_\_\_\_

Date \_\_\_\_\_

**MODEL H-400**



**PARTS LIST**  
**Model H400**

| Item No. | Qty. | Part No. | Description                                  |
|----------|------|----------|--|
| 1        | 1    | 41146    | Coupling Ass'y.                              |
| 2        | 1    | 30044    | Adapter                                      |
| 3        | 2    | 30749    | Angle-H400                                   |
| 4        | 2    | 30769    | Angle-H400                                   |
| 5        | 1    | 11604    | Cap  |
| 6        | 5    | 30748    | Bushing-400                                  |
| 7        | 1    | 32410    | Clutch-Jaw                                   |
| 8        | 1    | 32011    | Cover  |
| 9        | 1    | 33010    | Shoe-Drum Brake                              |
| 10       | 1    | 33004    | Drum-400                                     |
| 11       | 1    | 33704    | Drum-400                                     |
| 12       | 1    | 33016    | Gear-H.                                      |
| 13       | 1    | 33809    | Housing-Clutch                               |
| 14       | 1    | 33810    | Housing-Gear                                 |
| 15       | 1    | 34704    | Key-Sq. End                                  |
| 16       | 1    | 34707    | Key-Sq. End                                  |
| 17       | 1    | 34705    | Key-Rd. End                                  |
| 18       | 2    | 34720    | Key-Rd. End                                  |
| 19       | 2    | 34723    | Key-Rd. End                                  |
| 20       | 1    | 35670    | Shaft-Drum-400                               |
| 21       | 1    | 35676    | Shaft-Drum-400                               |
| 22       | 1    | 35680    | Shaft-Splitter                               |
| 23       | 1    | 35801    | Splitter-Handle                              |
| 24       | 1    | 36707    | Spacer-Drum                                  |
| 25       | 1    | 36704    | Worm-R.H.                                    |
| 26       | 1    | 37003    | Yoke   |
| 27       | 1    | 40005    | Ball-Pocket                                  |
| 28       | 1    | 41705    | Bushing                                      |
| 29       | 1    | 41705    | Bushing                                      |
| 30       | 1    | 41706    | Bushing-400 only                             |
| 31       | 8    | 41146    | Coupling Ass'y.                              |
| 32       | 6    | 41138    | Cr-5 Nylon Hvy. Patch                        |
| 33       | 6    | 41139    | Cap Screw 5/16-18NC x 1-1/4 Lg. Hx. Hd.      |
| 34       | 4    | 41447    | Cr-5 Cap Screw 7/16-18NC x 1-1/4 Lg. Hx. Hd. |
| 35       | 2    | 414950   | Cap Screw 1/2-20NF HD-Less Dr. Slot Lck-Wal  |
| 36       | 1    | 41491    | Cr-5 Nylon Hvy. Patch                        |
| 37       | 1    | 41609    | Cap Screw 3/8-16NC x 1/2 Lg. Hx. Soc. Hd.    |
| 38       | 2    | 416108   | Cap Screw 5/16-18NC x 3/8 Lg. Sq. Hd.        |
| 39       | 6    | 41613    | Cap Screw 5/16-18NC x 1-1/4 Lg. Hx. Hd.      |
| 40       | 4    | 414481   | Cr-5 Nylon Hvy. Patch                        |
| 41       | 8    | 418198   | Lockwasher 7/16-18NC x 1-1/4 Lg. Hx. Hd.     |
| 42       | 2    | 418218   | Lockwasher 1/2 Med. Sect.                    |
| 43       | 1    | 442182   | Gasket                                       |
| 44       | 2    | 442182   | Gasket                                       |
| 45       | 3    | 456006   | Fitting-Lube                                 |
| 46       | 1    | 456008   | Fitting-Relief                               |
| 47       | 1    | 456025   | Motor-Hyd.                                   |
| 48       | 1    | 460202   | Reducer                                      |
| 49       | 1    | 460010   | Plug-Pipe                                    |
| 50       | 1    | 460011   | Plug-Pipe                                    |
| 51       | 1    | 46067    | Seal-Oil                                     |
| 52       | 1    | 484005   | Spring                                       |
| 53       | 2    | 484006   | Spring                                       |
| 54       | 2    | 53004    | Spacer-Brake Disc                            |
| 55       | 2    | 30044    | Bushing                                      |
| 56       | 2    | 447003   | O-Ring                                       |

4.30

Rev. \_\_\_\_\_  
Date \_\_\_\_\_

**PARTS LIST — HYDRAULIC WHEEL LIFT TOW BAR  
INSTALLATION WITH AND WITHOUT IRL**

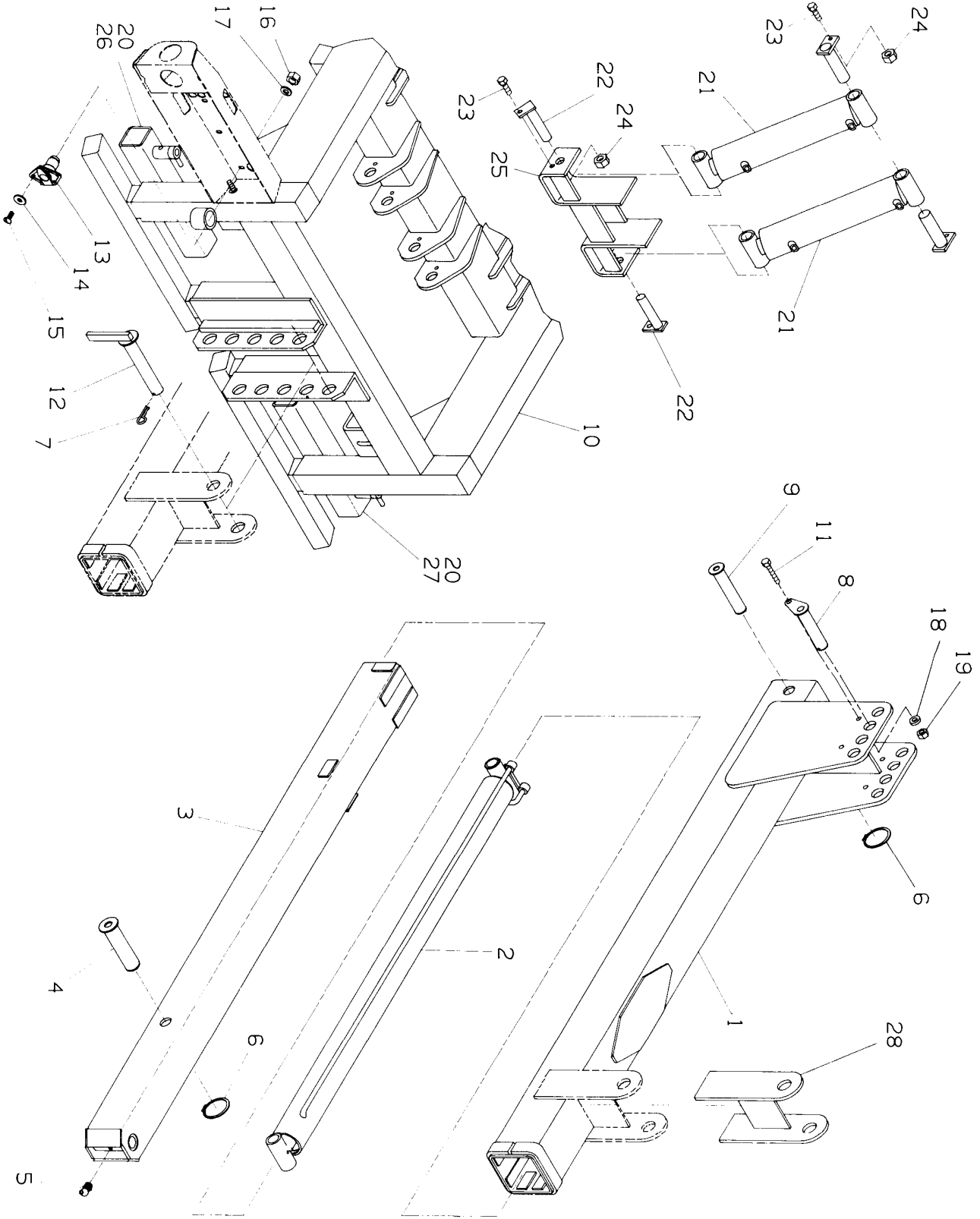
| <b>Ref. No.</b> | <b>Part No.</b> | <b>Description</b>                           | <b>Qty.</b> |
|-----------------|-----------------|--|-------------|
| 1               | D3-170-000029   | Outer Tube Weldment<br>(Low Profile Chassis) | 1           |
|                 | D3-170-000023   | Outer Tube Weldment                          | 1           |
| 2               | C3-320-000021   | Tow Bar Cylinder                             | 1           |
| 3               | C3-170-000026   | Inner Tube Weldment                          | 1           |
| 4               | A3-691-000011   | Cylinder Pin                                 | 1           |
| 5               | 7-440-000200    | Grease Fitting                               | 1           |
| 6               | A7-754-000006   | Retaining Ring                               | 2           |
| 7               | A7-691-000001   | Hair Pin                                     | 1           |
| 8               | 3-691-000074    | Pin  | 1           |
| 9               | A3-691-000042   | Cylinder Pin                                 | 1           |
| 10              | D3-533-700020   | Subframe                                     | 1           |
| 11              | 7-118-151250    | Hex Head Cap Screw                           | 1           |
| 12              | A3-691-000067   | Pin  | 2           |
| 13              | A7-291-000003   | Female Receptacle                            | 1           |
| 14              | 7-950-140161    | Flatwasher                                   | 2           |
| 15              | 7-111-140613    | Truss Head Screw                             | 2           |
| 16              | 7-660-140000    | Hex Nut                                      | 2           |
| 17              | 7-950-140000    | Lockwasher                                   | 2           |
| 18              | 7-950-150161    | Flatwasher                                   | 1           |
| 19              | 7-660-152600    | Locknut                                      | 1           |
| 20              | 7-660-000011    | Flanged Locknut                              | 4           |
| 21              | C3-320-000036   | Cylinder Assembly<br>(Low Profile Chassis)   | 2           |
|                 | C3-320-000037   | Cylinder Assembly                            | 2           |
| 22              | 3-691-000073    | Cylinder Pin                                 | 4           |
| 23              | 7-115-160850    | Hex Head Cap Screw                           | 4           |
| 24              | 7-660-162301    | Locknut                                      | 4           |
| 25              | C3-178-000115   | Bracket                                      | 1           |
| 26              | B3-913-000012   | Storage Tube Weldment, L.H.                  | 1           |
| 27              | B3-913-000024   | Storage Tube Weldment, R.H.                  | 1           |
| 28              | A3-606-000013   | Lug Weldment<br>(Low Profile Chassis)        | 1           |
|                 | A3-606-000012   | Lug Weldment                                 | 1           |

Rev. \_\_\_\_\_

4.31

Date \_\_\_\_\_

**HYDRAULIC WHEEL LIFT TOW BAR INSTALLATION  
WITH AND WITHOUT IRL**

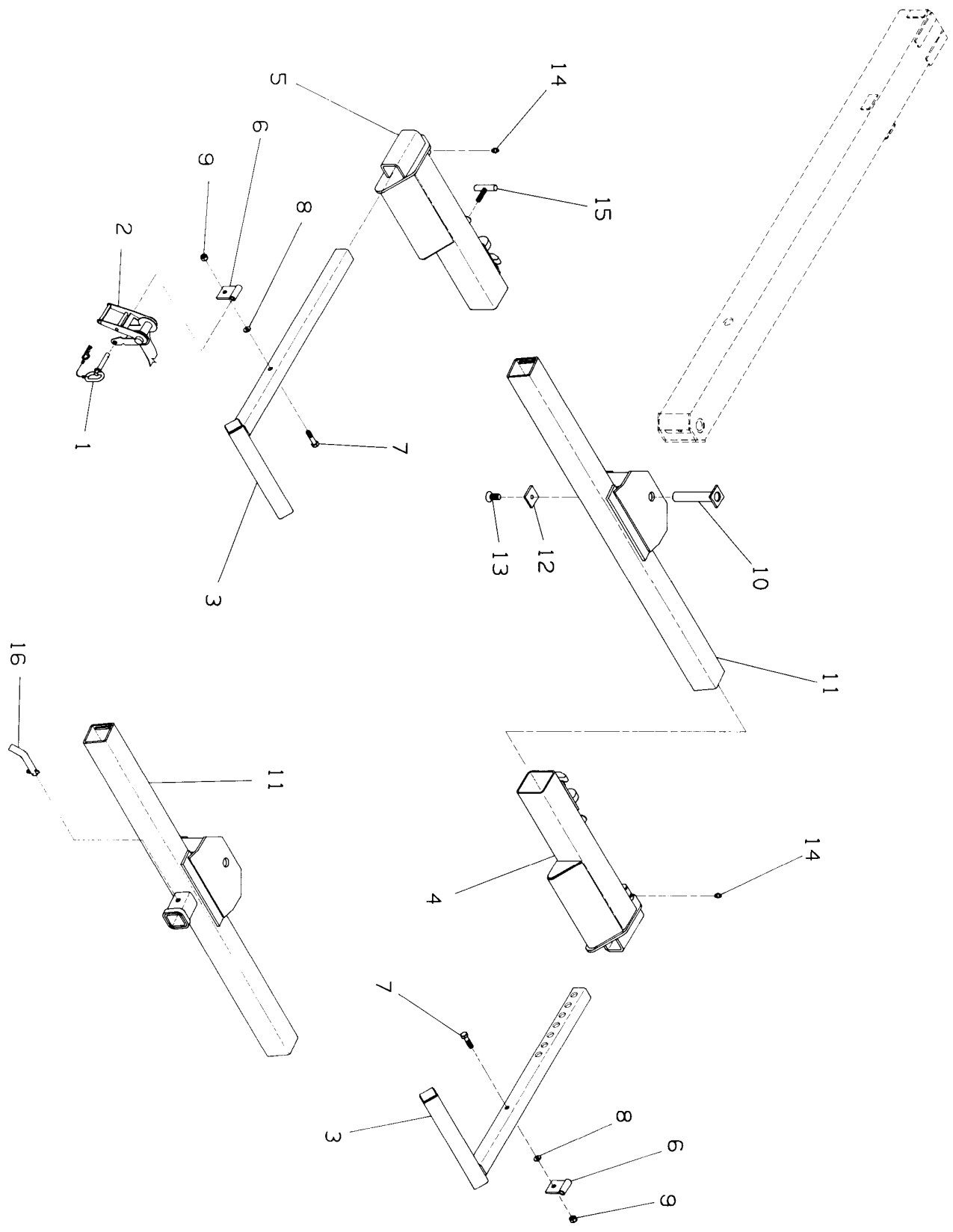


5-375-000048-REV-0

4.32

Rev. \_\_\_\_\_  
Date \_\_\_\_\_

HYDRAULIC TOW BAR WHEEL GRID ASSEMBLY



---

**PARTS LIST — HYDRAULIC TOW BAR WHEEL GRID ASSEMBLY**

| <b>Ref. No.</b> | <b>Part No.</b> | <b>Description</b>      | <b>Qty.</b> |
|-----------------|-----------------|-------------------------|-------------|
| 1               | A7-691-000011   | Hitch Pin               | 2           |
| 2               | A7-894-000002   | Tie Down Strap          | 2           |
| 3               | C3-511-880049   | L - Arm                 | 2           |
| 4               | C3-511-880067   | Grid Weldment, R.H.     | 1           |
| 5               | C3-511-880068   | Grid Weldment, L.H.     | 1           |
| 6               | A3-178-000001   | Anchor Bracket          | 2           |
| 7               | 7-105-182450    | Hex Cap Screw           | 2           |
| 8               | 7-950-180153    | Flatwasher              | 2           |
| 9               | 7-660-181630    | Hex Locknut             | 2           |
| 10              | B3-691-000021   | Pin                     | 1           |
| 11              | C3-500-880043   | Pivot Tube              | 1           |
|                 | C3-500-880044   | Pivot Tube w/Hitch Tube | 1           |
| 12              | A4-949-000010   | Plate                   | 1           |
| 13              | 7-118-180820    | Flat Head Bolt          | 1           |
| 14              | 7-440-030000    | Grease Fitting          | 2           |
| 15              | A3-551-000026   | T - Handle              | 2           |
| 16              | A7-691-000016   | Hitch Pin               | 1           |

---

**PARTS LIST — REAR DOCK STABILIZER**

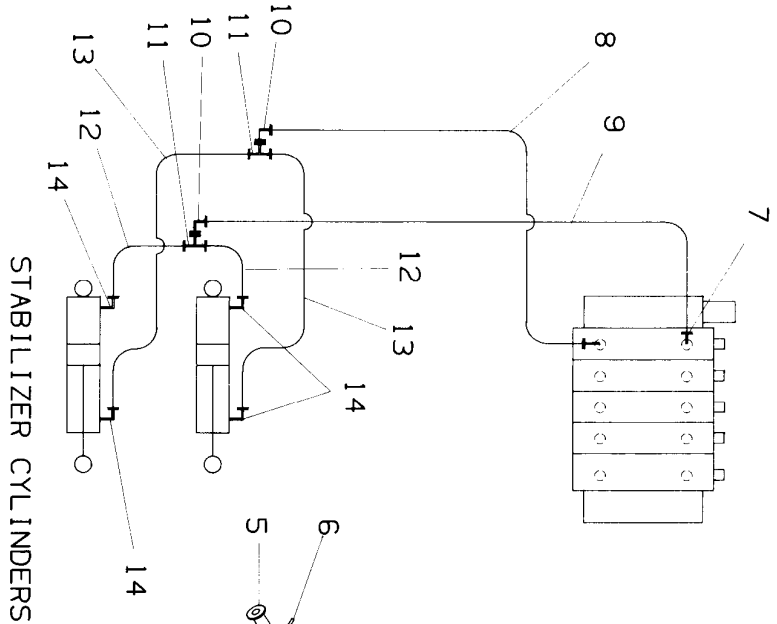
| <b>Ref. No.</b> | <b>Part No.</b> | <b>Description</b>     | <b>Qty.</b> |
|-----------------|-----------------|------------------------|-------------|
| 1               | D2-530-000087   | Lower Arm, 45"         | 1           |
| 2               | C1-700-100018   | Cylinder Assembly      | 2           |
| 3               | A4-913-000113   | Tube, Inner Bumper     | 4           |
| 4               | A3-681-000051   | Pin                    | 2           |
| 5               | A3-681-000052   | Pin                    | 2           |
| 6               | 7-690-143244    | Roll Pin               | 6           |
| 7               | 7-445-081043    | Str. Adapter           | 2           |
| 8               | 4-567-130262    | Stabilizer Supply Hose | 1           |
| 9               | 4-567-130362    | Stabilizer Supply Hose | 1           |
| 10              | 7-445-080872    | 90° Elbow              | 2           |
| 11              | 7-445-060837    | Tee                    | 2           |
| 12              | 4-567-120027    | Stabilizer Base Hose   | 2           |
| 13              | 4-567-120048    | Stabilizer Rod Hose    | 2           |
| 14              | 7-445-060620    | 90° Elbow              | 4           |

4.35

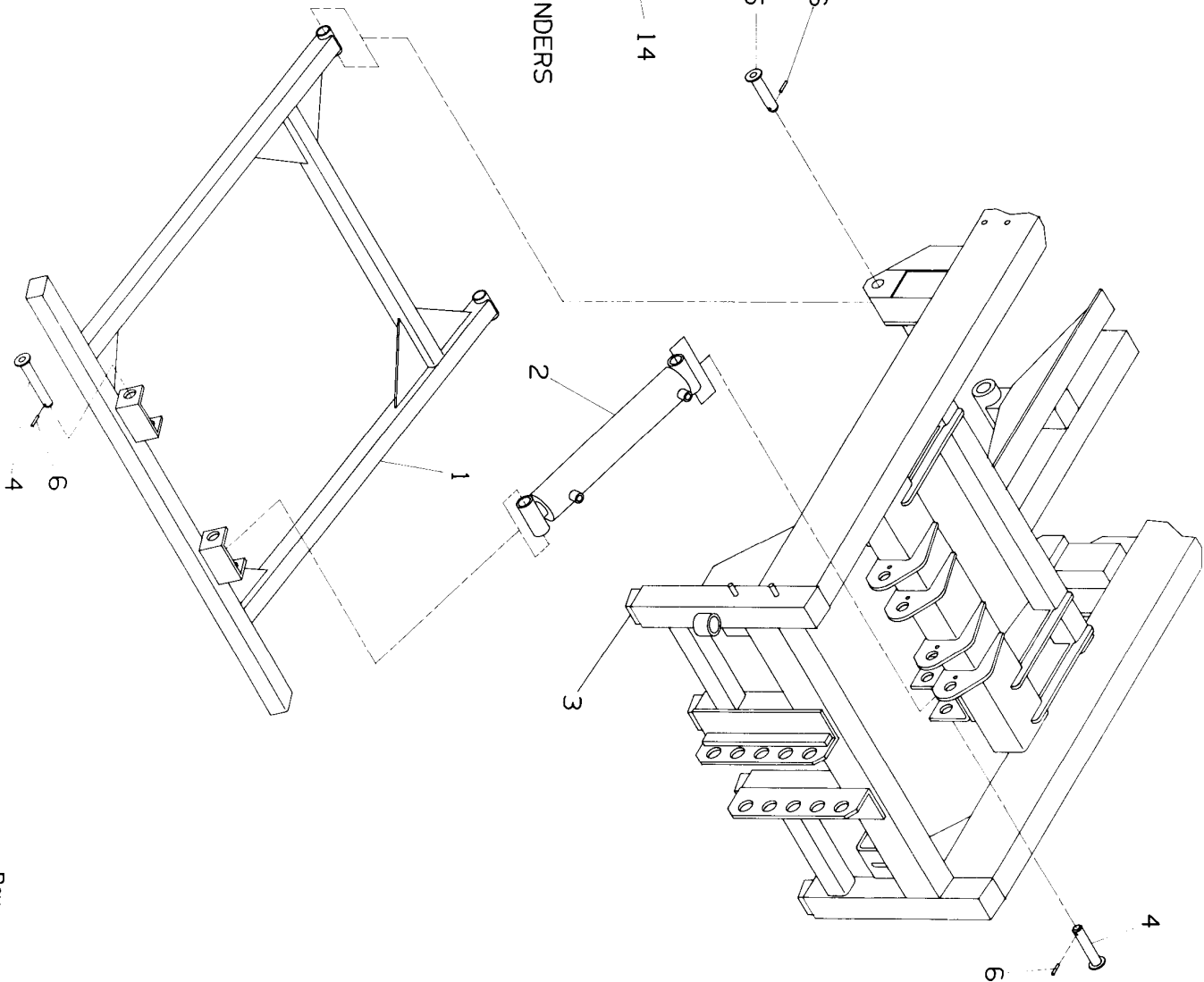
Rev. \_\_\_\_\_

Date \_\_\_\_\_

**REAR DOCK STABILIZER**

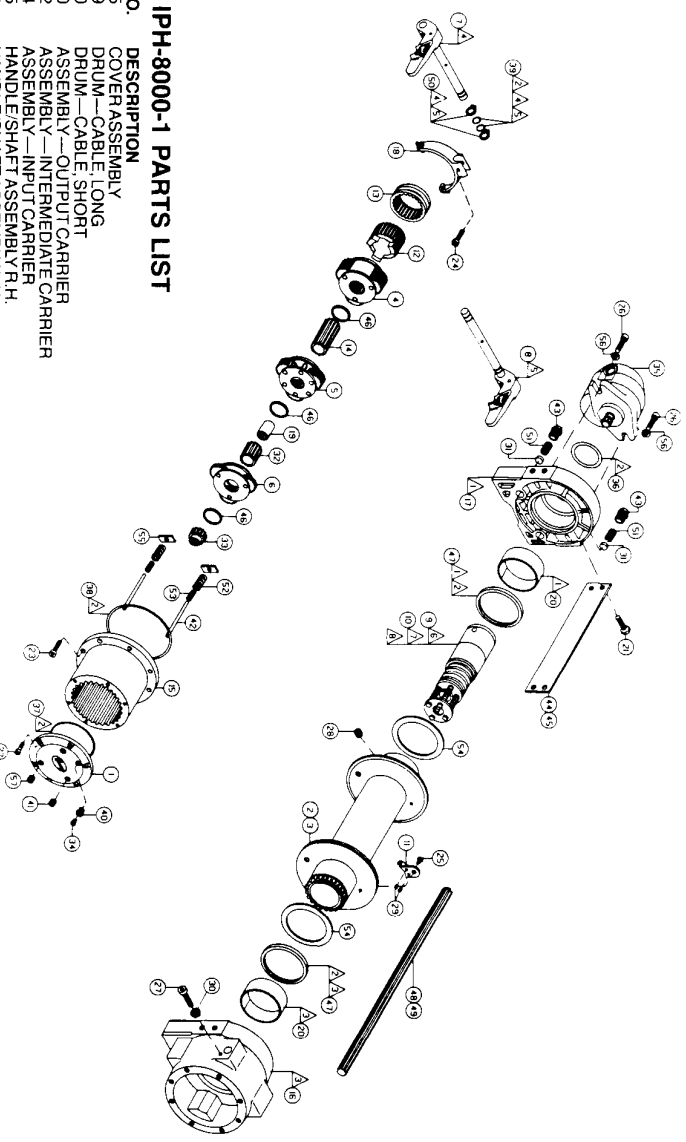


STABILIZER CYLINDERS



**IPH-8000-1 PARTS LIST**

| ITEMNO. | QTY. | PARTNO. | DESCRIPTION  |
|---------|------|---------|--|
| 1       | 1    | 228075  | COVER ASSEMBLY                                       |
| 2       | 1    | 234149  | DRUM—CABLE LONG                                      |
| 3       | 1    | 234150  | DRUM—CABLE SHORT                                     |
| 4       | 1    | 247010  | ASSEMBLY—OUTPUT CARRIER                              |
| 5       | 1    | 247012  | ASSEMBLY—INTERMEDIATE CARRIER                        |
| 6       | 1    | 247014  | ASSEMBLY—INPUT CARRIER                               |
| 7       | 1    | 276045  | HANDLE SHAFT ASSEMBLY R.H.                           |
| 8       | 1    | 276046  | HANDLE SHAFT ASSEMBLY L.H.                           |
| 9       | 1    | 296290  | BRAKE ASSEMBLY 'A' ROTATION                          |
| 10      | 1    | 296291  | BRAKE ASSEMBLY 'B' ROTATION                          |
| 11      | 1    | 299680  | CABLE ANCHOR   |
| 12      | 1    | 324271  | COUPLING—CLUTCH                                      |
| 13      | 1    | 324323  | RING—LOCKING   |
| 14      | 1    | 334159  | GEAR—SUN OUTPUT                                      |
| 15      | 1    | 334180  | GEAR—RING  |
| 16      | 1    | 338264  | END BEARING—GEAR HOUSING                             |
| 17      | 1    | 338265  | END BEARING—MOTOR                                    |
| 18      | 1    | 370053  | YOKE   |
| 19      | 1    | 412073  | BUSHING—INPUT SHAFT                                  |
| 20      | 2    | 412074  | BUSHING—DRUM   |
| 21      | 8    | 414620  | CAPSCREW 1/2"—13NC X 1LG. HX. HD. GR5 LOK-WEL        |
| 22      | 6    | 414848  | CAPSCREW 1/4"—20NC X 1LG. SOC. HD. LOK-WEL           |
| 23      | 8    | 414869  | CAPSCREW 5/16"—18NC X 1 1/4 LG. SOC. HD. LOK-WEL     |
| 24      | 1    | 414871  | CAPSCREW 5/16"—18NC X 1 1/4 LG. SOC. HD. LOK-WEL     |
| 25      | 1    | 414819  | CAPSCREW 1/4"—20NC X 1 1/2 LG. FLAT SOC. HD. LOK-WEL |
| 26      | 2    | 414822  | CAPSCREW 3/8"—16NC X 2 1/4 LG. SOC. HD. NYLON        |
| 27      | 1    | 414930  | CAPSCREW 3/8"—16NC X 2 1/4 LG. SOC. HD.              |
| 28      | 1    | 416928  | SETScrew 1/4"—20NC X 1/2 LG. CUPPT. LOK-WEL          |
| 29      | 1    | 418030  | SETScrew 5/16"—24NF X 1/2 LG. CUPPT.                 |
| 30      | 1    | 418036  | NUT 3/8"—16NC JAM                                    |
| 31      | 2    | 438014  | GEAR—DRAG BRAKE                                      |
| 32      | 1    | 444062  | DISC—DRAG BRAKE                                      |
| 33      | 1    | 444063  | GEAR—SUN, INTERMEDIATE                               |
| 34      | 1    | 456008  | BREATHER   |
| 35      | 1    | 458065  | MOTOR—HYDRAULIC                                      |
| 36      | 1    | 462028  | O-RING .06 WD. X 3.38 O.D. X 3.25 I.D.               |
| 37      | 1    | 462030  | O-RING .103 SQ. X 5.875 I.D.                         |
| 38      | 1    | 462031  | O-RING .09 WD. X 6.94 O.D. X 6.75 I.D.               |
| 39      | 2    | 462037  | O-RING .06 WD. X .82 O.D. X .50 I.D.                 |
| 40      | 1    | 468002  | REDUCER  |
| 41      | 1    | 468016  | PLUG 3/8"—18NPT SOC. HD.                             |
| 42      | 1    | 470068  | PIN—CLUTCH SPRING                                    |
| 43      | 2    | 472018  | PLUG—DRAG BRAKE                                      |
| 44      | 2    | 474056  | TIE PLATE—LONG DRUM                                  |
| 45      | 2    | 474065  | TIE PLATE—SHORT DRUM                                 |



| ITEMNO. | QTY. | PARTNO. | DESCRIPTION                       |
|---------|------|---------|-----------------------------------|
| 46      | 3    | 477005  | RING—THRUST                       |
| 47      | 2    | 486075  | LIP SEAL                          |
| 48      | 1    | 489013  | SHAFT—INPUT LONG DRUM             |
| 49      | 1    | 489014  | SHAFT—INPUT SHORT DRUM            |
| 50      | 1    | 480001  | RING—SNAP EXTERNAL 3/8 I.D.       |
| 51      | 2    | 494002  | SPRING—DRAG BRAKE                 |
| 52      | 2    | 494082  | SPRING—CLUTCH                     |
| 53      | 2    | 494086  | SPRING—CLUTCH                     |
| 54      | 2    | 518029  | WASHER—DRUM                       |
| 55      | 2    | 518031  | WASHER—YOKE SPRING                |
| 56      | 2    | 418181  | WASHER—3/8 SAE FLAT               |
| 57      | 1    | 468030  | PLUG 3/8"—18NPT SOC. HD. MAGNETIC |

**SUB-ASSEMBLIES IPH-8000-1**

| ITEMNO. | QTY. | PARTNO. | DESCRIPTION                     |
|---------|------|---------|---------------------------------|
| △       | 1    | 202009  | END BEARING ASS'Y—MOTOR         |
| △       | 1    | 246036  | SEAL KIT (ALL SEALS)            |
| △       | 1    | 248049  | HOUSING ASS'Y—CLUTCH            |
| △       | 1    | 276043  | HANDLE ASS'Y. R.H.              |
| △       | 1    | 276044  | HANDLE ASS'Y. L.H.              |
| △       | 1    | 256044  | BRAKE ASSEMBLY KIT—'A' ROTATION |
| △       | 1    | 256045  | BRAKE ASSEMBLY KIT—'B' ROTATION |
| △       | 1    | 256046  | FRICITION DISC KIT              |

ITEMS DESIGNATED WITH A TRIANGLE "△" ARE SUB-ASSEMBLIES AND CAN BE PURCHASED BY SUB-ASSEMBLY NUMBER.